

100 ICW8-T

Product Data Sheet



Key Points

- Product designed and developed in France by Focal
- Compact product with shallow mounting depth
- 100V/70V mode by switch
- Ready-to-paint grille

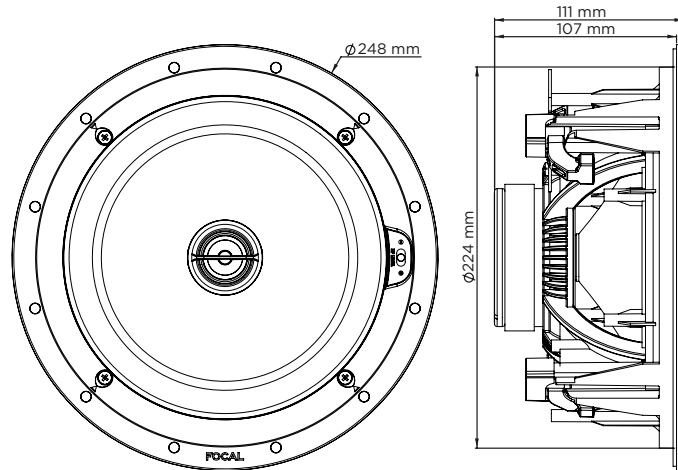
Technical Specifications

Type	In-wall/In-ceiling - 2-way coaxial for 100V/70V line installation
Drivers	8" (21cm) Polyglass Midbass 1" (25mm) Aluminium inverted dome Tweeter
Sensitivity (2.83V/1m)	90dB
Frequency response (+/-3dB)	53Hz - 23kHz
Low frequency point (-6dB)	40Hz
Power in 70V	7.5/15/30W
Power in 100V	15/30/60W
External dimensions (Ø/Depth)	9 ^{3/4} x4 ^{3/8} " (248x111mm)
Cut-Out diameter	8 ^{13/16} " (224mm)
Depth from wall	4 ^{1/4} " (107mm)
Net weight (with front grille)	5lbs (2.3kg)
Packing dimensions (WxDxH)	12 ^{3/16} x12 ^{3/16} x7 ^{1/4} " (310x310x185mm)
Total weight (with packaging)	8lbs (3.6kg)

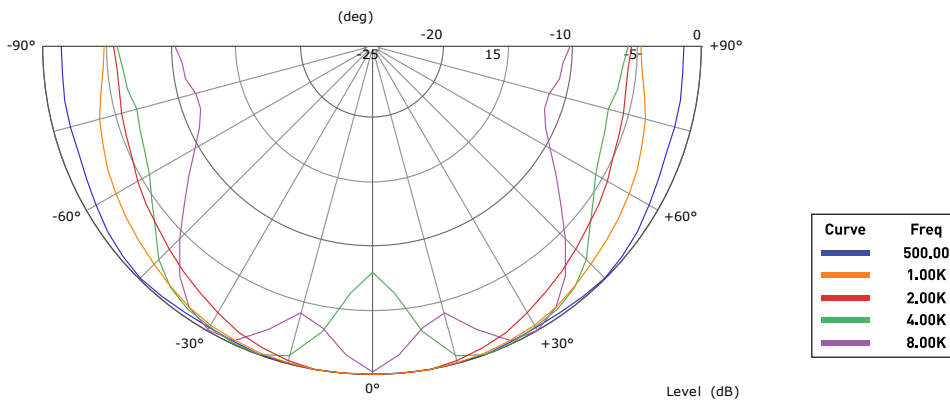
Selectable power table

70V	7.5W	15W	30W
100V	15W	30W	60W

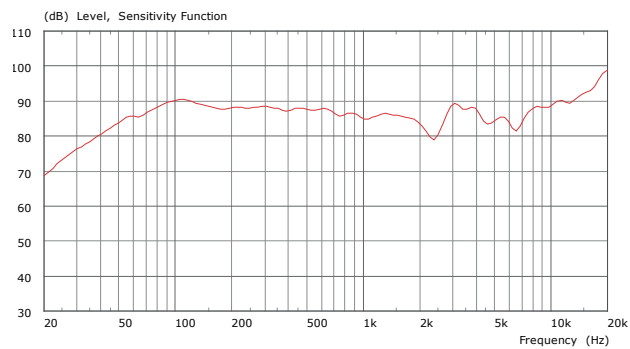
Dimensions (mm)



Measurements Directivity



Frequency Response



100 ICW8-T Speaker level Calculation Table

Power/Distance	1m	2m	5m
1W (2.83V)	90dB	84dB	76dB
5W (8.94V)	100dB	94dB	86dB
10W (12.6V)	103dB	97dB	89dB
20W (15.5V)	105dB	99dB	91dB

Summary	125Hz	250Hz	500Hz	1kHz	2kHz	4kHz	8kHz
SPL (2.83V/1m) (dB)	91	89	89	86	85	88	89
Opening Angle at -6dB	180°	180°	180°	180°	180°	130°	100°