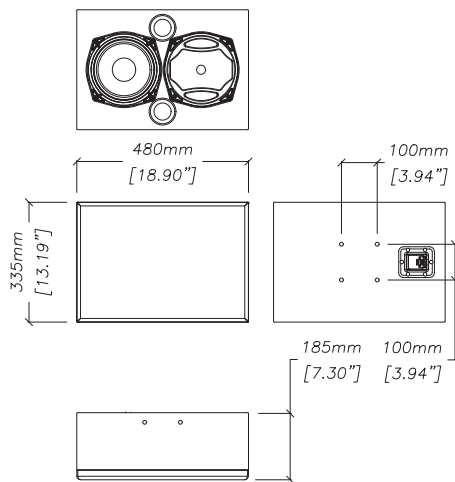


# M8-C

## SCREEN SPEAKER

M8-C is a compact screen speaker designed for home cinemas and home theater systems. Precision 8" + 1" components offer impressive performance for the dynamic and engaging action.

M8-C is the dedicated center channel speaker, and it seamlessly couples with the M8-LR speaker in both vertical or horizontal mounting, offering an unparalleled immersive cinema experience.



### CONNECTIONS

Use a Hi-pass filter to prevent speaker damage and distorted sound by eliminating low non-audible frequencies in the input signal.

Do not exceed the input powers, abovementioned in the specifications, while exploiting the speaker system.

The speaker system comes with banana terminals for connection to the amplifier.

### SAFETY INSTRUCTIONS

1. Do not pour liquids on the speaker system - this may cause driver cone destruction and an unappealing speaker appearance. Do not allow direct sunlight on the speaker cone - this will reduce its resource dramatically. For fire safety do not install the speaker system near open flames or heating elements.
2. Do not use the speaker system with the damaged connector or speaker cable - this is an electric shock hazard and fire hazard.
3. Make sure the speaker system is firmly set up on the ceiling, stage, or wall (where applicable).
4. While setting the speaker system up on a slope or slippery surface, make necessary arrangements to avoid its movement due to its vibration.
5. This loudspeaker system is capable of delivering a significant sound pressure level. To avoid permanent or temporary hearing damage or loss, prolonged exposure to sound pressure levels exceeding values over 90 dB should be limited.



### SPECIFICATIONS

Frequency response (±3 dB)	75 - 20000 Hz
Frequency range (-10 dB)	65 - 22000 Hz
Max continuous SPL <sup>2</sup>	118,5 dB
Sensitivity (1W/1m half-space) <sup>1</sup>	95,5 dB
High-frequency driver	1-inch (1,75-inch voice coil) titanium dome
Low/Mid frequency woofer	8-inch (2 inch voice coil) 2-wave long excursion suspension
Coverage	90° H / 50° V rotatable coverage pattern
Nominal impedance	4 Ohm
Power rating <sup>3</sup>	200 W
Mounting	VESA 100 x 100, 4 x M5 side points for specially designed mounting Removable grill with rotatable logo
Connectors	Banana terminals
Dimension (W x H x D)	335 x 480 x 185 mm
Net weight	8 kg

<sup>1</sup> - dB SPL, IEC 60268-5 pink noise, 1W / 1m, half- and free- space

<sup>2</sup> - dB SPL RMS, IEC 60268-5 pink noise, measured on nominal power

<sup>3</sup> - 2 hour power test, IEC filtered noise, 6 dB crest factor