

Ultra-compact Direct radiation bass reflex passive subwoofer with one 10" transducer, 2,5" voice coil and rubber suspension. 119 dB SPL, 600 W program



Key features

- Ultra-compact light weight
- Wall, ceiling and floor installation
- Background sound reinforcement
- LUKA processor optimised preset
- Black, white and RAL colour optional
- Rugged design

Applications

- Club & bar installations
- Live Sound
- Houses of worship
- Multi media spaces
- Theatres
- Broadcast
- Public address

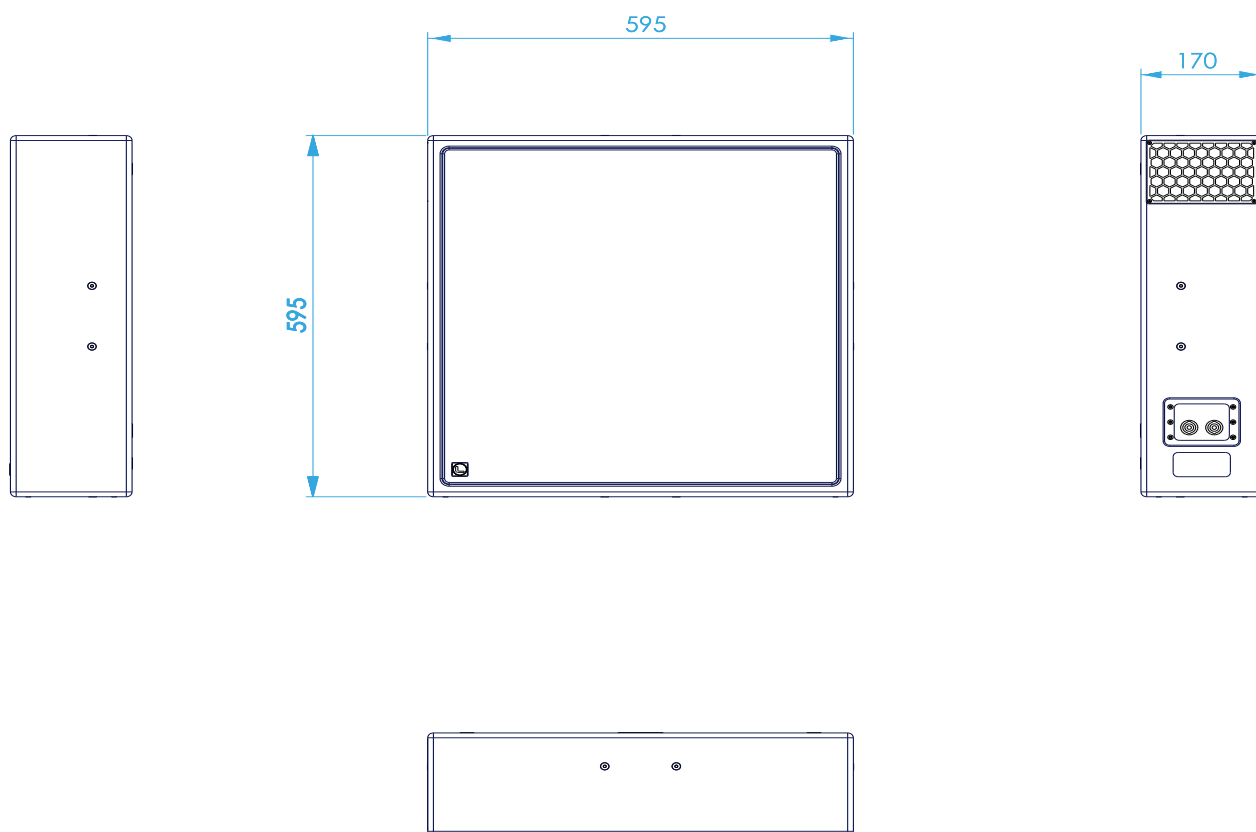
General description & specifications

The CPS-F10S is ultracompact light weight flat design passive subwoofer offering high-performance for background sound applications. Thanks to the discrete design can be installed in multiple applications. It features a 10" transducer with rubber surround, is made from 15 mm premium birch plywood and coated polyurea paint

Technical Data

Components	1 x 10" transducer 2,5" voice coil
Frequency range	30 Hz - 90Hz (-10dB) (X90Hz)
Frequency response	36 Hz - 80Hz (± 3dB) (X90Hz)
Sensitivity	91 dB (1W@1m)
Rated power	300 W AES, 600w program, 1200 Peak
Max SPL	116 dB - 122 dB peak (X90Hz)
Coverage	QUASI Omnidireccional
Power	300 W AES, 600 W program, 1200 W
Nominal Impedance	8 Ω
Connectors	2 X NEUTRIK Speakon NL4 Pin connections: +1 / -1 input +1 / -1 link
Finish	Polyurea coating - available in RAL colous on demand
Material	5 mm premium birch plywood
Dimensions	595 x 595 x 170 mm (H x W x D)
Weight	18 Kg
Fittings	8 x M6 U bracket, 2 x M6 wall bracket

Dimensional Drawing



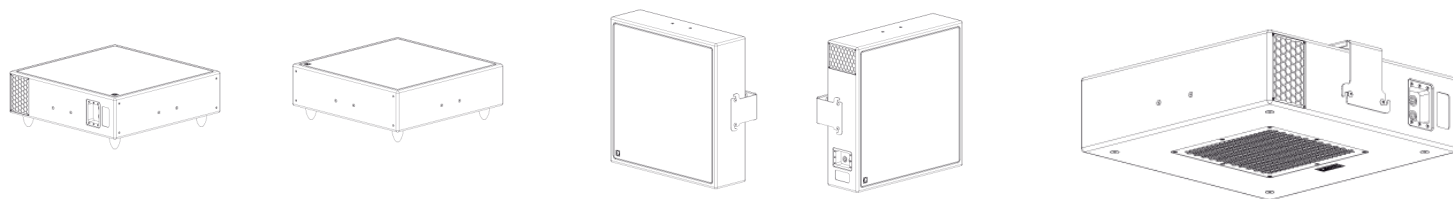
Accessories



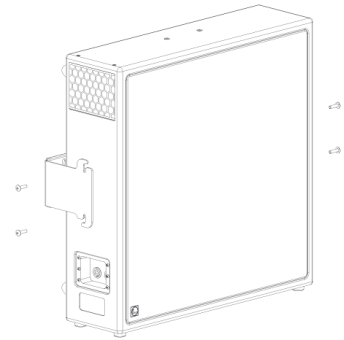
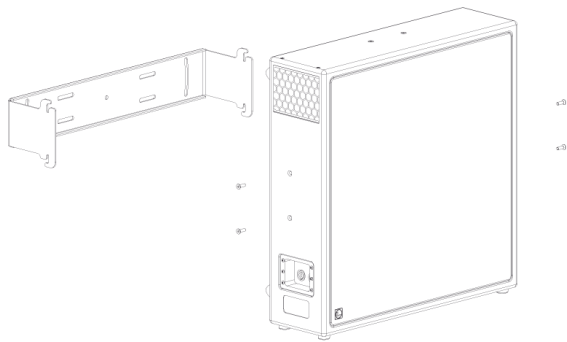
UBR-CPSF10S

Bracket for the CPS-F10S

Configurations CPS- F10S



WALL BRACKET



CEILING BRACKET

