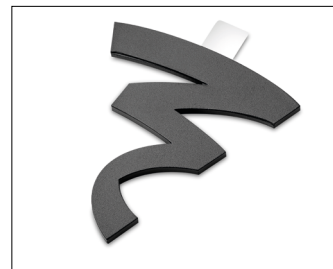
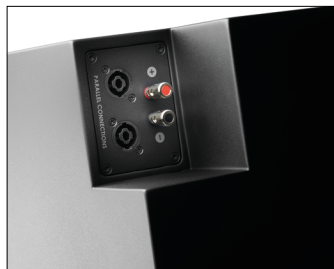
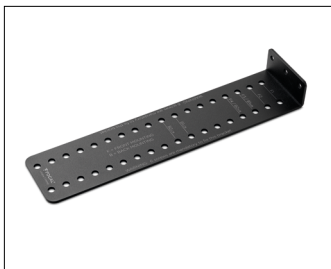


CINEMA SUB

Product sheet

MADE IN
FRANCE

The UTOPIA CINEMA line embodies Focal's unique expertise. Designed for private cinema rooms of up to 2153 square feet (200m²), it incorporates speaker drivers from our highest-quality monitors, Utopia Main, for an uncompromising sound experience where every single sound detail is enhanced. Within the range, CINEMA SUB symbolises Utopia excellence. With its high SPL capacity, this subwoofer guarantees unparalleled power and precision in the sub-bass.



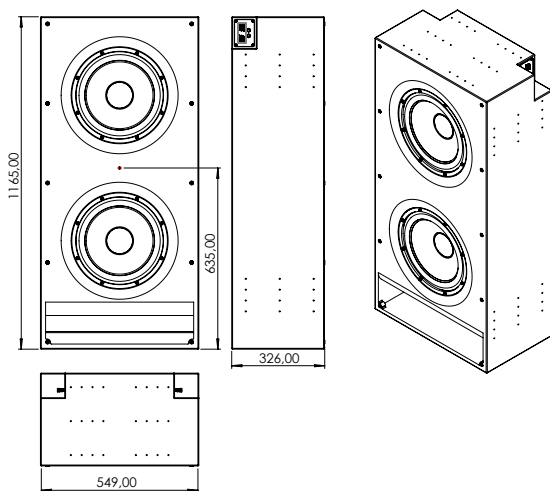
Key points

- Bass-reflex subwoofer designed for bass frequencies
- Option to combine as many Cinema SUB and Cinema LCR loudspeakers as desired
- Speaker drivers developed and manufactured in France by Focal
- The brand's Utopia signature
- Mounted onto or into the wall, with modular configurations
- High power handling suitable for large private cinema rooms
- Supplied with a grille

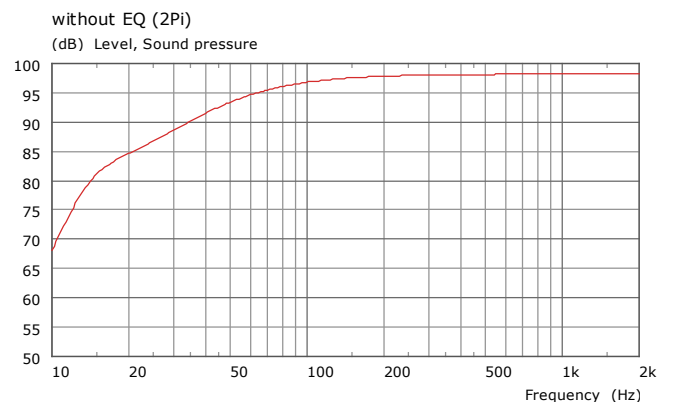
Specifications

Type	Subwoofer bass-reflex In-wall / On-wall / Freestanding
Tuned port	19Hz
Speaker drivers	2x13" 'W' cone woofers
Sensitivity (2.83V/3feet - 1m)	95dB (66Hz)
Bandwidth (-3dB) 2Pi	42Hz - 2500Hz
Low-frequency cut-off (-10dB)	19Hz - 2500Hz
Recommended EQ	19Hz - 2500Hz ± 1 dB +12dB @20Hz Q=1.8 and shelving -5dB @50Hz (1 st order) and 24 dB/oct @18Hz butterworks
Nominal impedance	5 Ω
Minimal impedance	4.1 Ω to 19Hz
Crossover	No
Rated power	300W RMS (4 Ω)
Recommended amp power	Max 400W (8 Ω) / Max 800W (4 Ω)
Dimensions (HxWxD)	45 ^{7/8"} x21 ^{5/8"} x12 ^{13/16"} (116.5x54.9x32.6cm)
Net weight	160.94lbs (73kg)

DIMENSIONS



FREQUENCY RESPONSE



LEVELS CALCULATION TABLE

CINEMA SUB (2Pi) @66Hz

95dB

Power (8Ω) / Distance	1m	2m	5m	10m
1W (4Ω) (2,83V)	95dB	89dB	81dB	75dB
50W (4Ω) (20V)	112dB	106dB	98dB	92dB
100W (4Ω) (28,3V)	115dB	109dB	101dB	95dB
500W (4Ω) (44,7V)	119dB	113dB	105dB	99dB
1000W (4Ω) (63,2V)	122dB	116dB	108dB	102dB

Summary	20Hz	34Hz	66Hz	80Hz	110Hz	200Hz	2kHz
NPA (2,83V) / 1m (dB)	85	90	95	96	97	98	98

CINEMA SUB (2Pi) @34Hz

90dB

Power (8Ω) / Distance	1m	2m	5m	10m
1W (4Ω) (2,83V)	90dB	84dB	76dB	70dB
50W (4Ω) (20V)	107dB	101dB	93dB	87dB
100W (4Ω) (28,3V)	110dB	104dB	96dB	90dB
500W (4Ω) (44,7V)	114dB	108dB	100dB	94dB
1000W (4Ω) (63,2V)	117dB	111dB	103dB	97dB

CINEMA SUB (2Pi) @34Hz

85dB

Power (8Ω) / Distance	1m	2m	5m	10m
1W (4Ω) (2,83V)	85dB	79dB	71dB	65dB
50W (4Ω) (20V)	102dB	96dB	88dB	82dB
100W (4Ω) (28,3V)	105dB	99dB	91dB	85dB
500W (4Ω) (44,7V)	109dB	103dB	95dB	89dB
1000W (4Ω) (63,2V)	112dB	106dB	98dB	92dB

2x CINEMA SUB (2Pi) @20Hz

91dB

Power (8Ω) / Distance	1m	2m	5m	10m
1W (4Ω) (2,83V)	91dB	85dB	77dB	71dB
50W (4Ω) (20V)	108dB	102dB	94dB	88dB
100W (4Ω) (28,3V)	111dB	105dB	97dB	91dB
500W (4Ω) (44,7V)	115dB	109dB	101dB	95dB
1000W (4Ω) (63,2V)	118dB	112dB	104dB	98dB

3x CINEMA SUB (2Pi) @20Hz

94dB

Power (8Ω) / Distance	1m	2m	5m	10m
1W (4Ω) (2,83V)	94dB	88dB	80dB	74dB
50W (4Ω) (20V)	111dB	105dB	97dB	91dB
100W (4Ω) (28,3V)	114dB	108dB	100dB	94dB
500W (4Ω) (44,7V)	118dB	112dB	104dB	98dB
1000W (4Ω) (63,2V)	121dB	115dB	107dB	101dB

4x CINEMA SUB (2Pi) @20Hz		97dB			
Power (8Ω) / Distance	1m	2m	5m	10m	
1W (4Ω) (2,83V)	97dB	91dB	83dB	77dB	
50W (4Ω) (20V)	114dB	108dB	100dB	94dB	
100W (4Ω) (28,3V)	117dB	111dB	103dB	97dB	
500W (4Ω) (44,7V)	121dB	115dB	107dB	101dB	
1000W (4Ω) (63,2V)	124dB	118dB	110dB	104dB	

8x CINEMA SUB (2Pi) @20Hz		103dB			
Power (8Ω) / Distance	1m	2m	5m	10m	
1W (4Ω) (2,83V)	103dB	97dB	89dB	83dB	
50W (4Ω) (20V)	120dB	114dB	106dB	100dB	
100W (4Ω) (28,3V)	123dB	117dB	109dB	103dB	
500W (4Ω) (44,7V)	127dB	121dB	113dB	107dB	
1000W (4Ω) (63,2V)	130dB	124dB	116dB	110dB	

16x CINEMA SUB (2Pi) @20Hz		109dB			
Power (8Ω) / Distance	1m	2m	5m	10m	
1W (4Ω) (2,83V)	109dB	103dB	95dB	89dB	
50W (4Ω) (20V)	126dB	120dB	112dB	106dB	
100W (4Ω) (28,3V)	129dB	123dB	115dB	109dB	
500W (4Ω) (44,7V)	133dB	127dB	119dB	113dB	
1000W (4Ω) (63,2V)	136dB	130dB	122dB	116dB	