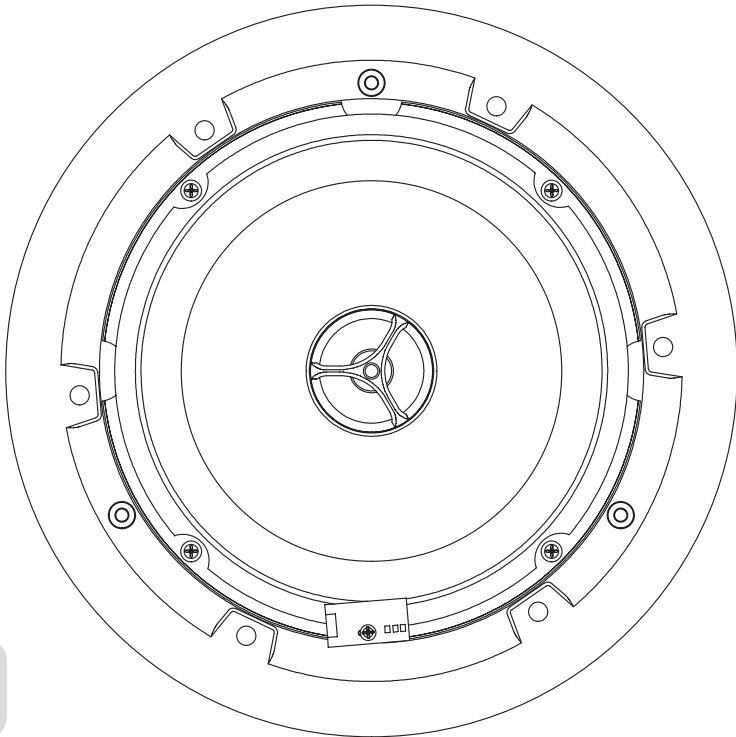




TAGA
H A R M O N Y

RB-1650BT

IN-CEILING ACTIVE SPEAKER SYSTEM



Instruction Manual

Introduction

Congratulations for purchasing TAGA Harmony speaker System!

TAGA Harmony installation speakers provide superior sound performance and amazing value.

The RB-1650BT is a perfect solution for residential as well as commercial installations in restaurants, pubs, shops, conferencing rooms, fitness clubs and classrooms.

KEY FEATURES:

High-Class Audio Performance:

Built-in Amplifier: specially tailored stereo amplifier in 1 speaker provides 2 x 30W RMS power.

Swivel TPTTD (Taga Pure Titanium Tweeter Dome) tweeter utilizes a light titanium dome and is designed to deliver the crispest and most detailed high-frequency response as well as to handle high power.

Kevlar® Bass-Midrange Driver reproduces the midrange and low frequencies with clarity and articulation, ensuring that vocals and instruments are rendered with lifelike accuracy, and the bass with exceptional purity and depth.

Connectivity: the System allows to build cost-effective audio installations and stream music wirelessly via **Bluetooth®** or wired via a stereo line input (RCA / 3.5 mm).

Home Automation: front and rear IR receivers, RS-232 port, volume and sound control memory, and programmable Auto Standby and **Bluetooth®** priority functions provide seamless integration into home automation systems.

Audio Eco-System: the daisy-chain connection allows to connect many Systems to the main speaker and to build large and sophisticated audio installations.

Installation-Friendly: TEI - TAGA Easy Install mounting brackets are extremely easy and safe to install. Their visible blue color facilitates installations in dark places. Magnetically mounted and paintable Reduced Bezel grills are aesthetic and virtually disappear in the ceiling or wall.

Sound Control: adjustments for low and high frequencies to tailor sound to user's preferences.

Fully-Functional Remote Controller: controls all features of the System.

Whether used for background music in living spaces, dedicated home theaters, or distributed audio throughout the home and other places, this System excels in a variety of applications.

Introduction

IMPORTANT REMARKS

Please read this instruction manual carefully before installation and keep it for future reference.

- This System is intended for indoor use only.
- Please do not dismantle any parts of the speakers as this may void your warranty - servicing should be done only by a qualified TAGA Harmony repair center.
- When connecting the System make sure to power off your audio equipment (power mixer, sound processor, audio sources etc.).
- Make sure that all connections are done according to this manual and a manual provided with your audio equipment.
- The System may be damaged by too high output power as well as by an underpowered output signal [distortion of sound].
- Do not use very high-volume levels for a long period of time - this may damage the System and void your warranty.
- When switching on and off your audio equipment, turn down the volume to avoid strong electrical impact to be delivered to the System.
- Position the System in ventilated and dry atmosphere and do not expose it to sun or other heat sources.
- Install the System on a stable and hard surface.
- We recommend having a licensed professional engineer or designer reviewed the design and installation of the System focusing on safety and performance of the application.
- To protect the drivers do not remove the protective grille after installation.

Cleaning

Do not use strong or abrasive cleaners. Use a damp, soft cloth for cleaning.

Specifications and the latest instruction manual edition

Full technical specifications and the latest edition of the instruction manual are available on www.Tagaharmony.com

Contents

Safety Instructions	5
Remote Controller	9
Front and Rear Panel	11
Configuration and Hooking Up the System	14
Placement	21
Speaker Mounting	22
Operation	23
Play via Bluetooth [®]	26
Painting	27
Installing the Grille	27
Kit Content	28
Specifications	28

Safety Instructions

IMPORTANT

READ THIS SECTION CAREFULLY BEFORE PROCEEDING!



An exclamation mark in a triangle is intended to alert the user to the presence of important operating and maintenance (servicing) instructions in the literature accompanying the appliance.

WARNING: TO REDUCE THE RISK OF FIRE OR ELECTRIC SHOCK, DO NOT EXPOSE THIS APPARATUS OR THE POWER ADAPTER TO RAIN OR MOISTURE, AND OBJECTS FILLED WITH LIQUIDS, SUCH AS VASES, SHOULD NOT BE PLACED ON THIS APPARATUS OR ON THE POWER ADAPTER.

CAUTION: TO PREVENT ELECTRIC SHOCK, FULLY AND SECURELY INSERT THE POWER PLUG INTO THE POWER OUTLET, AND THE POWER CABLE CONNECTORS INTO THE UNIT AND THE POWER ADAPTER SOCKETS (IF THE POWER ADAPTER IS NOT EQUIPPED WITH AN INTEGRATED [ATTACHED] POWER CORDS).

CAUTION: FOR CONTINUED PROTECTION AGAINST RISK OF FIRE, REPLACE THE FUSE (IF THE UNIT OR THE POWER ADAPTER IS EQUIPPED WITH A USER REPLACEABLE FUSE) ONLY WITH THE SAME AMPERAGE AND VOLTAGE TYPE. IN CASE WHEN THE UNIT OR THE POWER ADAPTER IS NOT EQUIPPED WITH A USER REPLACEABLE FUSE - REFER REPLACEMENT TO QUALIFIED SERVICE PERSONNEL.

WARNING: THE UNIT AND THE POWER ADAPTER MAY BECOME HOT. ALWAYS PROVIDE ADEQUATE VENTILATION TO ALLOW FOR COOLING. DO NOT PLACE THE UNIT AND THE POWER ADAPTER NEAR A HEAT SOURCE, OR IN SPACES THAT CAN RESTRICT VENTILATION.

Safety Instructions

1. Read Instructions - All the safety and operating instructions should be read before the product is operated.
2. Retain Instructions - The safety and operating instructions should be retained for future reference.
3. Heed Warnings - All warnings on the product and in the operating instructions should be adhered to.
4. Follow Instructions - All operating and use instructions should be followed.
5. Cleaning - Unplug this product from the power outlet before cleaning. Do not use liquid cleaners or aerosol cleaners.
6. Water and Moisture - Do not use this product near water - for example, near a bath tub, wash bowl, kitchen sink or laundry tub; in a wet basement; or near a swimming pool; and the like. These precautions also apply to the power cords and power adapter.
7. Accessories - Do not place this product on an unstable cart, stand, tripod, bracket or table. The product may fall, causing serious injury to a child or adult and serious damage to the product. Use only with a cart, stand, tripod, bracket or table recommended by the manufacturer or sold with the product. Any mounting of the product should follow manufacturer's instructions and should use a mounting accessory recommended by the manufacturer.
8. Ventilation - This unit may be equipped with slots and openings in the cabinet (housing) which are provided for ventilation and to ensure reliable operation of the product and to protect it from overheating and these openings must not be blocked or covered. The openings should never be blocked by placing the product on a bed, sofa, rug or other similar surface. This product should be not placed in a built-in installation such as a bookcase or rack unless proper ventilation is provided or the manufacturer's instructions have been adhered to. For products equipped with separate power adapters, leave at least 5cm (2in.) of free space on all sides and the top of the power adapter.
9. Power Sources - This product should be operated only from the type of power source indicated on the marking label (placed on the product and / or, if applicable, on a separate power adapter unit). If you are not sure of the type of power supply in your home, consult your product dealer or local power company. For products intended to operate from battery power or other sources, refer to the operating instructions.
10. Grounding and Polarity - some units for proper operation or to take full advantage of their capabilities may require to be connected to a grounded power outlet – refer to the user manual for more information.
Some units or power adapters may have markings for the live (L) and neutral (N) conductors for power - in order to take full advantage of capabilities of such products, it is recommended to properly connect the polarity according to the markings on the unit - refer to the user manual for more information. Connecting the polarity not in accordance with the markings will not affect the durability and reliability of the device.
11. Power-cord Protection - Power supply cords should be routed so that they are not likely to be walked on or pinched by items placed upon or against them, paying particular attention to cords at plugs, convenience receptacles and the point where they exit from the product or the power adapter.
12. Lighting - For added protection for this product during a lighting storm or when it is left unattended and unused for long periods of time, unplug it from the wall outlet and disconnect the antenna or system cables. This will prevent damage to the product due to lighting and power-line surges.
13. Overloading - Do not overload wall outlets, extension cords or integral convenience receptacles as this can result in a risk of fire or electric shock.
14. Object and Liquid Entry - Never push objects of any kind into this product through openings as they may touch dangerous voltage points or short-out parts that could result in a fire or electric shock. Do not expose this apparatus and the power adapter to dripping or splashing and ensure that no objects filled with water, such as vases are placed on the apparatus or on the power adapter.
15. Servicing - Do not attempt to service this product yourself as opening or removing covers may expose you to dangerous voltage or other hazards. Refer all servicing to qualified service personnel.
16. Damage Requiring Service - Unplug this product from wall outlet and refer servicing to qualified personnel under the following conditions:
 - when power supply cords or plugs are damaged;
 - if liquid has been spilled or objects have fallen into the product;
 - if the product does not operate normally by following the operating instructions. Adjust only those controls that are covered by the operating instructions as an improper adjustment of other controls may result in damage and will require extensive work by a qualified technician to restore the product to its normal operation;
 - if the product has been dropped or damaged in any way;
 - if the product exhibits a distinct change in performance - this indicates a need for a service.
17. Replacement Parts - when replacement parts are required, be sure the technician has used replacement parts specified by the manufacturer or with the same characteristics as the original part. Unauthorized substitutions may result in fire, electric shock or other hazards.
18. Safety Check - Upon completion of any service or repairs to this product, ask the service technician to perform safety check to determine that the products is in proper operating condition.
19. Wall of ceiling mounting - The product should be mounted to a wall or ceiling only as recommended by the manufacturer.
20. Heat - The power adapter should be situated away from heat sources such as radiators, heat registers, stoves or other products that produce heat.
21. [Refer to products equipped with vacuum tubes] Tube Cage or cover - For your safety and to protect the vacuum tubes this product may be equipped with the factory installed vacuum tube cage or cover.
It is not recommended to remove the cage or cover unless it is required to change the vacuum tubes.
When the cage or cover is removed - do not touch the vacuum tubes - they may be hot and burn the skin!
22. Operating Environment - Operating environment temperature and humidity of the unit: +5°C to +35°C (+41°F to +95°F); less than 85% RH (cooling slots not blocked).

PACKAGING WARNING

The packaging may contain elements such as plastic, that **should be kept away from small children.**

The thin foil or small elements can stick to the nose and mouth, or may be swallowed and prevent breathing.



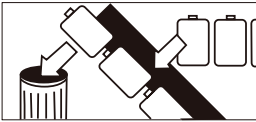
Batteries- Safety Instructions

IMPORTANT

READ THIS SECTION CAREFULLY BEFORE PROCEEDING!



Make sure to insert the battery aligning the correct polarity - the positive and negative ends should be facing in the correct direction as marked on equipment.
Incorrect fitting may cause leakage or, in extreme cases, fire or even an explosion.



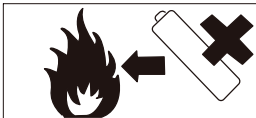
Always replace the whole set of batteries at one time, taking care not to mix old and new batteries or batteries of different types, since this may result in leakage or, in extreme cases, fire or even an explosion.



Store unused batteries in their packaging and away from metal objects which may cause a short-circuit resulting in leakage or, in extreme cases, fire or even an explosion.



Remove dead batteries from equipment and all batteries from equipment when you know you are not going to use for a long time. Otherwise the batteries may leak and cause damage.



Never dispose of batteries in fire as this can cause them to explode. Please recycle dead batteries; do not put with the normal household waste.



Never attempt to recharge ordinary batteries, either in a charger or by applying heat to them. They may leak, cause fire or even explode. There are special rechargeable batteries which are clearly marked as such.



Supervise children if they are replacing batteries by themselves in order to ensure these safety instructions are followed.

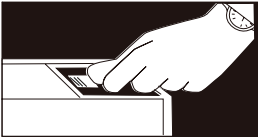
Batteries- Safety Instructions



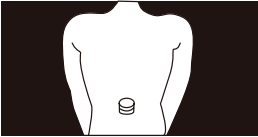
Remember that small button cell batteries such as used in some hearing aids, toys, games and other appliances, may be easily swallowed by young children and this is dangerous.



Keep loose button cells away from young children.



Make sure appliance battery compartments are securely closed.



Seek medical assistance if you believe a battery has been swallowed.

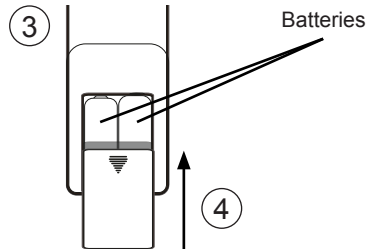
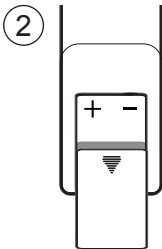
Remote Controller



- Always use AAA batteries and do not use the rechargeable batteries.
- If the batteries run out, remove the old batteries and replace them with new ones within several minutes.
- If the batteries are placed incorrectly, they can cause explosion.
- Remove the batteries if the remote controller is not used for a long period of time.
- Do not handle and store the batteries together with metallic tools.
- KEEP AWAY FROM CHILDREN!

Battery Installation

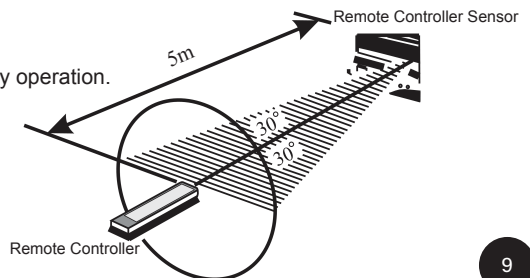
1. Prepare two AAA batteries (not provided with this product).
2. Remove the rear battery cover by sliding it downwards.
3. Insert the batteries into the battery compartment. Carefully follow the polarity diagram inside the battery compartment (positive + and negative - symbols).
4. Reinstall the rear cover.



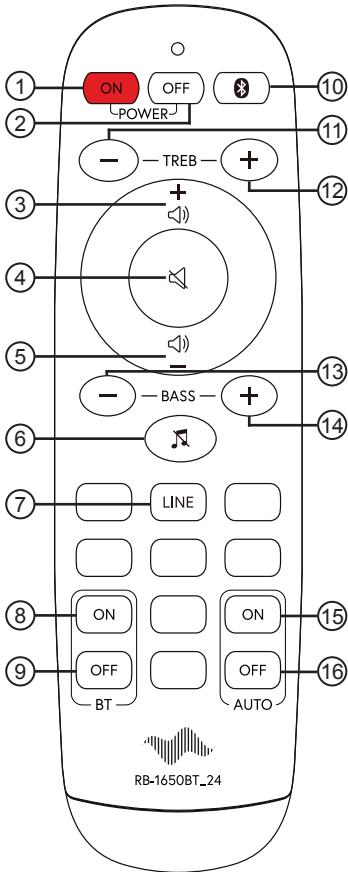
Operating range

Use the remote controller by aiming it at the remote controller sensor. The remote controller can operate in the maximum range of 5 meters away from the System and within 30 degrees from the axis of the controller sensor.

Note! Exposing the remote controller sensor to direct sunlight or strong light may cause faulty operation.



Remote Controller

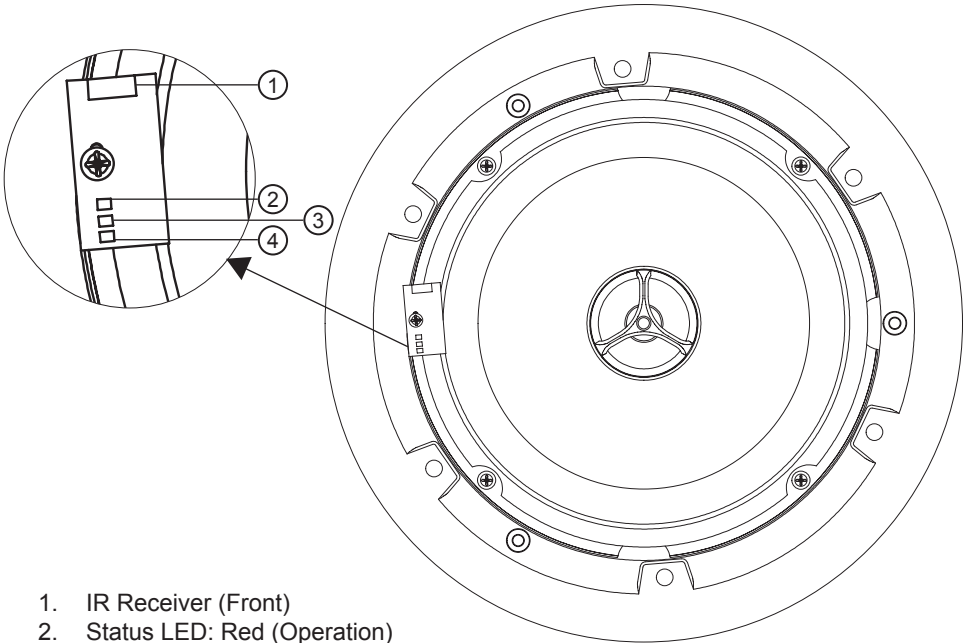


1. Power - **ON** Button
2. Power - **OFF** Button
3. VOLUME Up Button (🔊) +)
4. MUTE Button (🔊)
5. VOLUME Down Button (🔊) -)
6. Direct function Button (🎵)
7. LINE function Button (**LINE**)
8. **Bluetooth®** Priority - **ON** Button
9. **Bluetooth®** Priority - **OFF** Button
10. **Bluetooth®** function Button (📶)
11. **TREBLE** Tone Regulation Button (-)
12. **TREBLE** Tone Regulation Button (+)
13. **BASS** Tone Regulation Button (-)
14. **BASS** Tone Regulation Button (+)
15. AUTO Standby - **ON** Button
16. AUTO Standby - **OFF** Button

Front and Rear Panel

The System consists of 2 speakers:
Active (**Master**) Speaker and Passive (**Slave**) speaker.

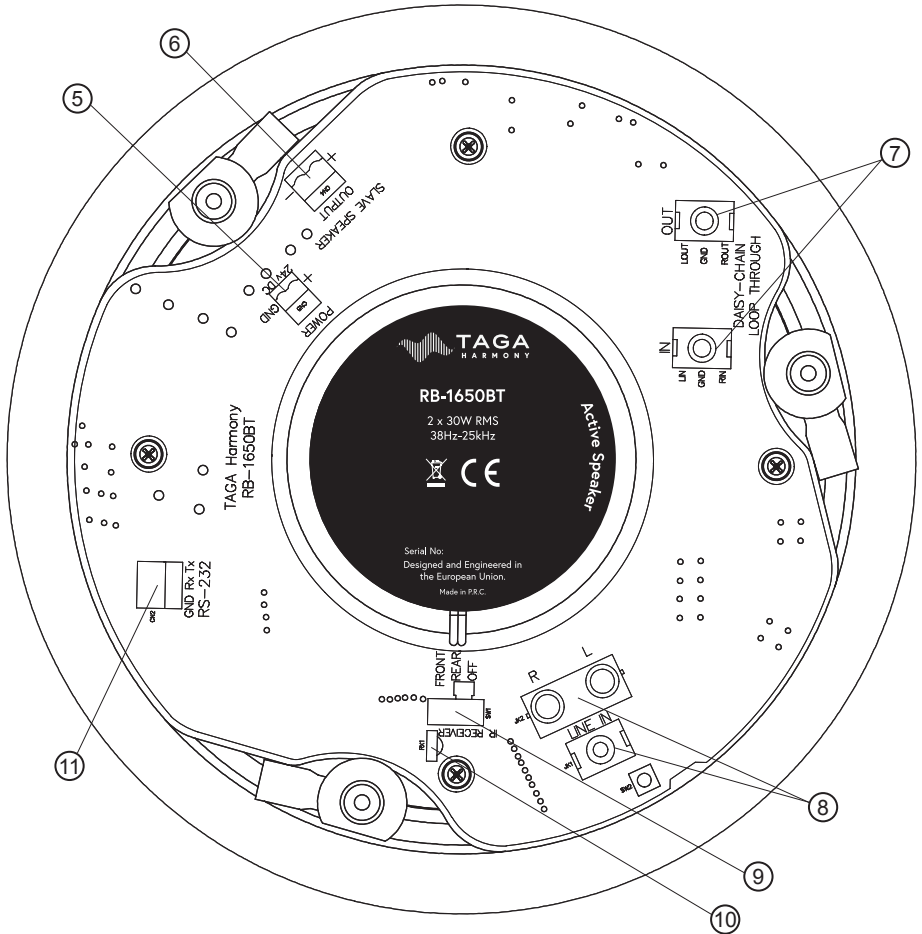
Master Speaker - Front Panel



1. IR Receiver (Front)
2. Status LED: Red (Operation)
3. Status LED: Yellow (LINE IN)
4. Status LED: Blue (Bluetooth)

Front and Rear Panel

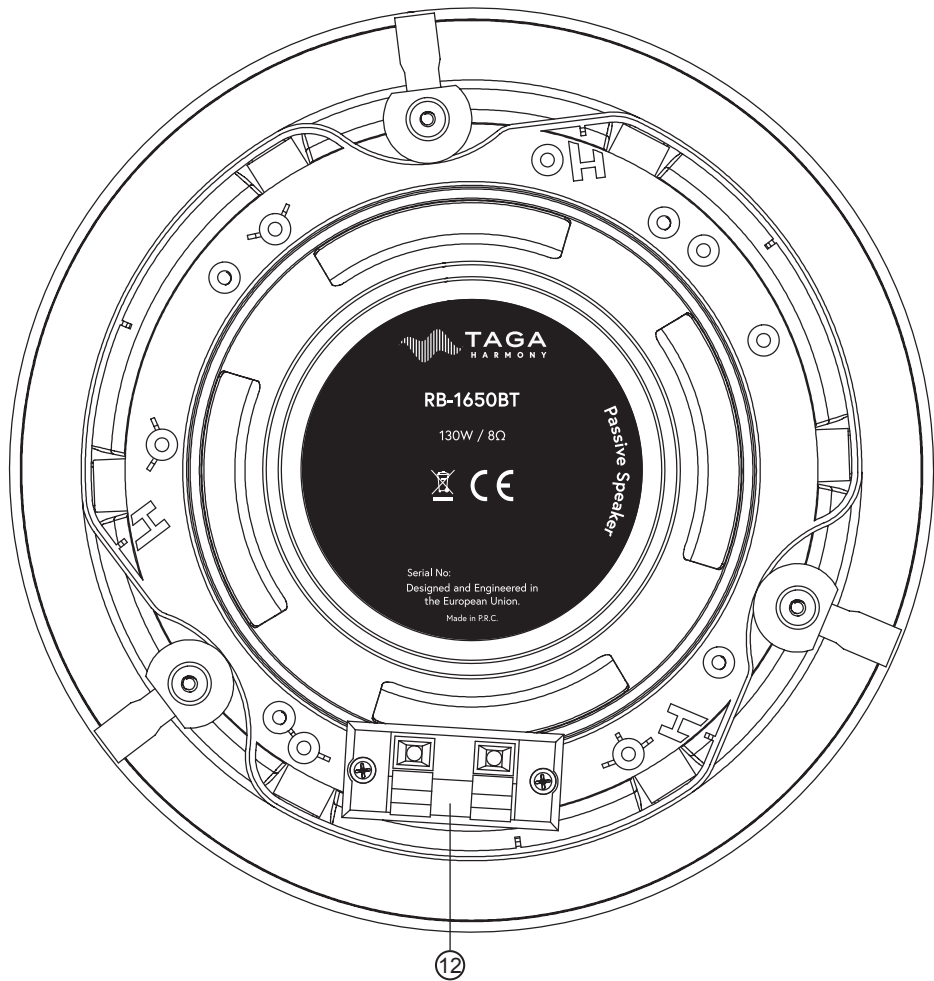
Master Speaker - Rear Panel



5. POWER input terminal - Phoenix Connector [ORANGE color]
6. SLAVE SPEAKER OUTPUT terminal - Phoenix Connector [+ and -] [GREEN color]
7. DAISY-CHAIN LOOP THROUGH - IN and OUT 3.5 mm (1/8") sockets
8. LINE IN input [RCA Left and Right / 3.5 mm (1/8")]
9. IR RECEIVER switch
10. IR Receiver (Rear)
11. RS-232 terminal - Phoenix Connector [GREEN color]

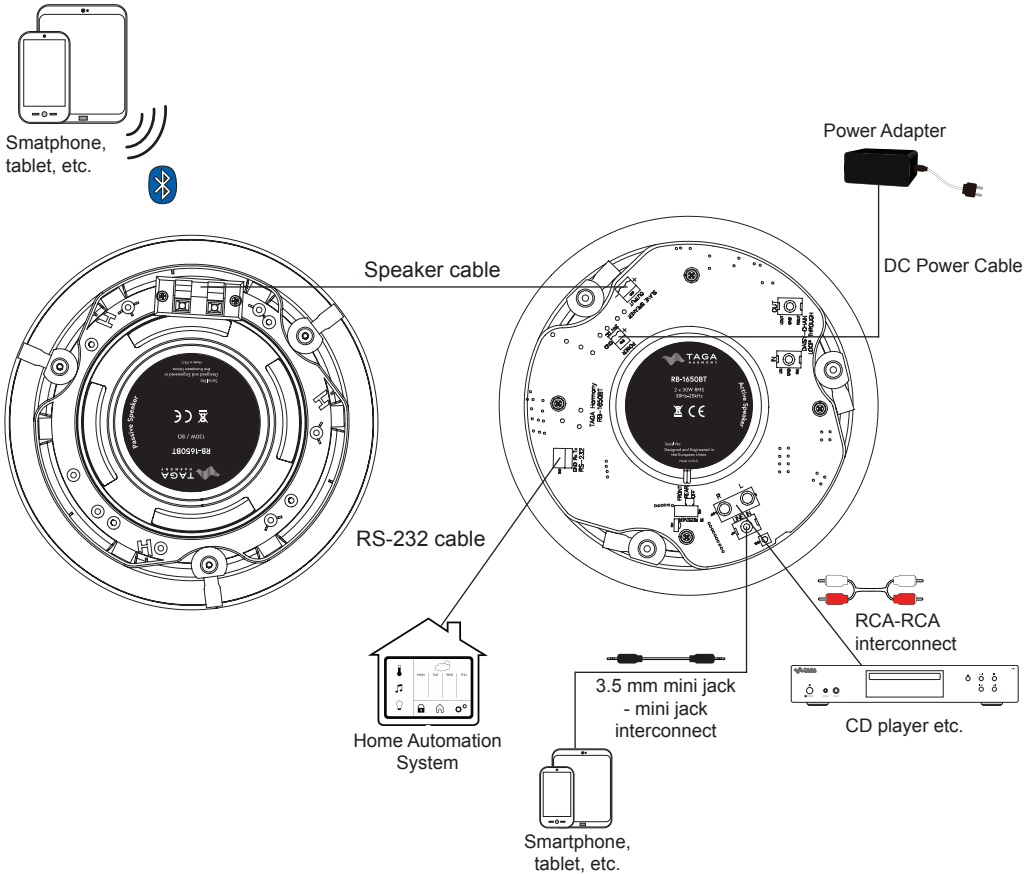
Front and Rear Panel

Slave Speaker - Rear Panel



12. MASTER SPEAKER INPUT terminal – Spring Clips [+ and -]

Configuration and Hooking up the System



Note! Make sure that the Adapter Power Cable is disconnected from the Power Adapter and the wall outlet.

Note! Make sure that external equipment which will be connected to the System is turned off.

Configuration and Hooking up the System

Connecting Master with Slave Speaker

Connect the Master and the Slave speaker with each other using a provided 2-conductor speaker cable (black and white).

The cable is ended with a Phoenix plug at one end and 2 bare conductors on the other. Insert the Phoenix plug into the SLAVE SPEAKER OUTPUT terminal on the Master speaker.

Connect the speaker cable on the other end to the spring clips on the Slave speaker.

Note! Pay attention to connecting the polarity correctly:

The WHITE conductor should wire the “+” SLAVE SPEAKER OUTPUT terminal on the master speaker with the RED “+” spring clip on the slave speaker.

The BLACK conductor should wire the “-” SLAVE SPEAKER OUTPUT terminal on the master speaker with the BLACK “-” spring clip on the slave speaker.



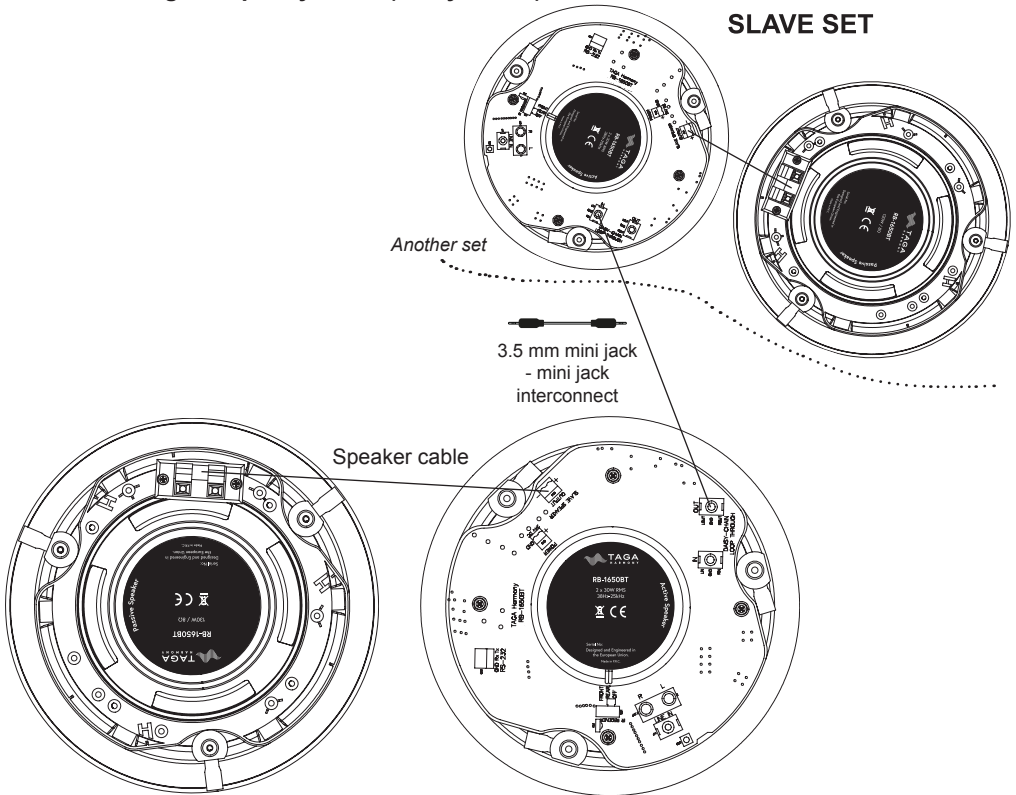
Do not let bare speaker wires touch each other or any metal part of this System.

Do not connect any other speaker models except for the Slave speaker provided with this System.

It may damage the System and may void your warranty.

Configuration and Hooking up the System

Connecting Multiple Systems (Daisy-Chain)



You can connect multiple systems (sets) together - there is no limit to number of sets. It is called a Daisy-Chain connection.

The first set in a chain is a "Master set" which switches the inputs (**Bluetooth®** and LINE IN) and sends the audio signal to the next „Slave set" in the chain and adjusts the volume level and controls the tone settings for all speakers connected.

If you want to use 2 sets in the Daisy-Chain connection then using a 3.5 mm mini jack - mini jack connect the Master set DAISY-CHAIN OUT with the DAISY-CHAIN IN on the Slave set.

For connecting more sets use the DAISY-CHAIN OUT on the second set to connect the third one and for additional sets follow the same rule.

Note! The IR RECEIVER switch in all "Slave sets" should be set to OFF which disables the LINE IN and activates the DAISY-CHAIN IN input.

The IR RECEIVER switch in the "Master set" cannot be in the OFF position.



Never connect any other devices to the DAISY-CHAIN OUT nor the DAISY-CHAIN IN.

It may damage the System and may void your warranty.

Configuration and Hooking up the System

Connecting Audio Equipment With Built-In Analog Output

If you want to play music from audio source devices equipped with an analog output (CD player, Satellite tuner, Network streamer, Music player, Smartphone, Laptop etc.) choose the corresponding interconnect cables and connect the devices to the analog inputs (LINE IN).

Check “External audio equipment connection options” for more details.

Note! The LINE IN is a single stereo input which uses RCA L/R and 3.5 mm (1/8”) connections which are connected in parallel.

Integration into a Home Automation System via RS-232

This System can be integrated into your Home Automation system.

If you want to use this System with your Home Automation system connect a 3-conductor communication cable to the Phoenix RS-232 terminal..

The pins are marked with Tx, Rx and GND:

Tx – transmits data to the Home Automation system;

Rx – receives data from the Home Automation system;

GND – ground.

Please refer to your Home Automation system instruction manual or contact TAGA Harmony dealer or installer for more information.

Check “External audio equipment connection options” for more details.

Configuration and Hooking up the System

RS-232 control codes

A command string is built of 95 and then the command code repeated twice e.g. Power ON send 95 and then send 11 twice.

Each part of the code should be preceded by “0x” e.g. 0x95 0x11 0x11.

RS-232 Communication Setup : Baud rate 9600 ; Stop bit 1 ; No Parity bit ; Transmission interval more than 80ms.

HEX Codes	Remote Controller
95 11 11	POWER ON
95 15 15	POWER OFF
95 05 05	MUTE
95 01 01	BLUETOOTH
95 09 09	LINE IN
95 08 08	TREBLE +
95 0D 0D	TREBLE -
95 0C 0C	BASS +
95 12 12	BASS -
95 10 10	RESET
95 07 07	VOL+
95 0B 0B	VOL-
95 02 02	BT PRIORITY ON
95 04 04	BT PRIORITY OFF
95 00 00	AUTO STANDBY ON
95 5C 5C	AUTO STANDBY OFF
95 A0 A0	Volume Step 0 minimum
95 A1 A1	Volume Step 1
95 A2 A2	Volume Step 2
95 A3 A3	Volume Step 3
95 A4 A4	Volume Step 4
95 A5 A5	Volume Step 5
95 A6 A6	Volume Step 6
95 A7 A7	Volume Step 7
95 A8 A8	Volume Step 8
95 A9 A9	Volume Step 9
95 AA AA	Volume Step 10
95 AB AB	Volume Step 11
95 AC AC	Volume Step 12
95 AD AD	Volume Step 13
95 AE AE	Volume Step 14
95 AF AF	Volume Step 15
95 B0 B0	Volume Step 16

95 B1 B1	Volume Step 17
95 B2 B2	Volume Step 18
95 B3 B3	Volume Step 19
95 B4 B4	Volume Step 20
95 B5 B5	Volume Step 21
95 B6 B6	Volume Step 22
95 B7 B7	Volume Step 23
95 B8 B8	Volume Step 24
95 B9 B9	Volume Step 25
95 BA BA	Volume Step 26
95 BB BB	Volume Step 27
95 BC BC	Volume Step 28
95 BD BD	Volume Step 29
95 BE BE	Volume Step 30
95 BF BF	Volume Step 31
95 C0 C0	Volume Step 32
95 C1 C1	Volume Step 33
95 C2 C2	Volume Step 34
95 C3 C3	Volume Step 35
95 C4 C4	Volume Step 36 maximum

Configuration and Hooking up the System

To request the current status of each speaker parameter, send the commands as shown in below chart.

RS-232 CODES 16 bytes	Program Name	Function	Return Code		Description
95 d0 d0	STANDBY	Speaker working status	0	1	Normal working status = 1 Off status and standby status = 0
95 d1 d1	MUTE	Mute status	0	1	Non-mute status = 0 Mute status = 1
95 d2 d2	PT2314E_SELECT	Input select	0	1	BLUETOOTH = 0 LINE = 1
95 d3 d3	PT2314E_GAIN_GET	Volume gain	0	36	In total 36 steps for Volume gain
95 d4 d4	PT2314E_B_GAIN_GET	Bass gain	0	14	In total 14 steps for Bass gain
95 d5 d5	PT2314E_T_GAIN_GET	Treble gain	0	14	In total 14 steps for Treble gain
95 d6 d6	BT_BIT	Bluetooth status	0	2	Paired = 0 Pairing = 1 BT Off = 2
95 d7 d7	BT_PRIORITY	Bluetooth Priority status	0	1	BT Priority OFF = 0 BT Priority ON = 1
95 d8 d8	AUTO_STANDBY	Auto Standby status	0	1	Auto Standby OFF = 0 Auto Standby ON = 1

Configuration and Hooking up the System

IR RECEIVER Switch

Configure the switch:

FRONT – the IR Receiver located on the front panel of the Master speaker is active (you can operate the System by pointing the remote controller to the front panel).



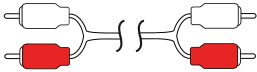



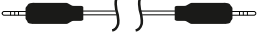
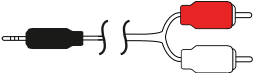
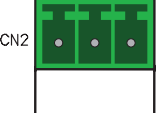
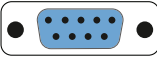
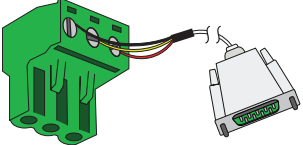
REAR - the IR Receiver located on the rear panel of the Master speaker is active (you can operate the System by pointing the remote controller to the rear panel).

OFF – both front and rear IR Receivers are deactivated. The System is used as a “Slave set” in the Daisy-Chain connection.

Connecting Power Adapter

The DC Power Cable of the Power Adapter is ended with the Phoenix plug – insert it firmly into the POWER input terminal (ORANGE color).

External audio equipment connection options:

Input / Output RB-1650BT	Input / Output external equipment	Connection cable
LINE IN R/L input 	Output – RCA sockets 	RCA-RCA interconnect (not supplied) 
LINE IN 3.5 mm input 	Outputs: 3.5 mm (1/8') socket  or RCA sockets 	3.5 mm mini jack - mini jack interconnect (not supplied)  3.5 mm mini jack - RCA interconnect (not supplied) 
RS-232 Phoenix socket  GND Rx Tx	RS-232 socket 	RS-232 communication cable (not supplied) 

The sockets shown for external equipment and connection options may differ depending on the device.

Placement

Please spend some time considering placement prior to installing the speakers. Once they are installed, they are not to be easily moved or repositioned. Each room has its specific acoustics but there are some general rules:

Location

TAGA Harmony speakers can be installed almost anywhere thanks to their unique sound characteristic which is strong and powerful, and has a wide dispersion field.

General notes

In-wall	In-ceiling
Placing the speakers near a corner will tend to increase their bass output, but may result in “boomy” or “muddy” sound.	Corner placement close to the walls provides a good balance of bass output and accuracy.
Placing the speakers further into the room will tend to decrease their bass output, but may result in improved articulation and clarity.	
Place the speakers at least 60 cm (2 feet) away from corners and other surfaces which may interfere or reflect sound (like tall furniture).	
To add extra bass and definition to your system we recommend TAGA Harmony Custom Installations or traditional subwoofers.	

Placement for critical listening in stereo (1 set)

In-wall	In-ceiling
Place the front left and right speakers at an equal distance from your listening position, at ear level while seated.	Place the left and right speakers at an equal distance from your listening position. Aim the speaker toward your listening position (if your speakers have this feature).
If the speakers are installed in a wall which is around 300 cm (10 feet) away from your listening position, place them no more than 300 cm (10 feet) apart from each other and no less than 150 cm (5 feet).	Place the speakers no more than 300 cm (10 feet) apart from each other and no less than 150 cm (5 feet).

Placement for entertainment listening or background music (1 or more sets in 1 room)

In-wall	In-ceiling
In rectangular smaller rooms [below 30 square meters (320 square feet)] usually 1 set should work fine. Place both speakers near opposite corners.	
In irregular or larger rooms use more than 2 sets and place the speakers evenly across the space for good sound dispersion.	Place the speakers no more than 300 cm (10 feet) apart from each other and no less than 150 cm (5 feet).
Note! When using more than 1 set in 1 room connect all sets in the Daisy-Chain connection to avoid problems with the Bluetooth® connection and operation.	

Placement

Swivel tweeter - depending on your particular primary listening area, room acoustics, ceiling height, or personal preference, you may find the sound more pleasing by pointing the tweeter in a particular direction.

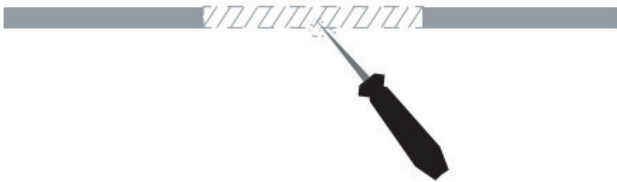
If additional treble is desired in the primary listening area, point the tweeter towards that area; and if less treble is required, point the tweeter away.

Push gently at the edge of the tweeter to point it in the desired direction.

Speaker Mounting

The below mounting procedure applies to drywall walls, drywall ceilings and drop ceilings or similar.

You will have to cut a hole in a wall or ceiling. With the right tools and a little extra care and preparation, installing the speaker can be both quick and easy.



The System is supplied with a cardboard template which allows to cut a hole in a mounting surface for installing each speaker.

- Make sure the Power Adapter is disconnected from the electrical outlet.
- Position the template in place you wish to mount the speaker, and draw a line on the wall or ceiling along the outside edge of the template.
- Make your cuts along the line in the wall or ceiling. Try to keep the cuts neat, however the frame of the speaker will overlap the hole and hide any rough edges.
- Run all the cables to the speaker – check “Configuration and Hooking up the System”.

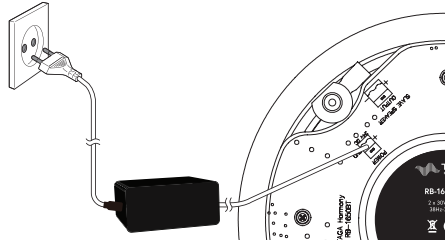


- Remove the speaker grill.
- With grill removed, insert the speaker into the mounting hole.
- Use a screwdriver to turn the mounting screws slowly clockwise.
- The cut edges of the wall or ceiling will be sandwiched firmly between the mounting clamps and the speaker frame.
- Repeat the whole operation for the second speaker.

Operation

Connecting to the Electrical Outlet

Plug the Power Cable to the Power Adapter and into the electrical outlet.



Your System is ready for operation.

Switching the System ON and OFF

SWITCH ON the System by pressing the **Power ON** button - the RED Status LED will turn off. The YELLOW (Line In) Status LED will be illuminated and the BLUE (**Bluetooth**®) Status LED will be flashing until the **Bluetooth**® connection is not established.

SWITCH OFF the System by pressing the **Power OFF** button - the RED Status LED will be illuminated.

Note! When the System in the Standby mode (check „Auto Standby Function” for more details) then all, LEDs are turned off - after a signal is detected on the LINE IN or the Power ON button is pressed, the System will switch from the Standby mode to the operation mode - The YELLOW (LINE In) status LED will be illuminated.

Auto Standby Function

AUTO ON button activates the Auto Standby function in which the System will be switched to the Standby mode after around 15 minutes of inactivity.

AUTO OFF button deactivates this function. The System will not switch itself to the Standby mode.

Note! In some cases this function may not be activated.

Selecting the LINE Input

Press the **LINE** button to select this input.


Make sure that an audio source is properly connected to the LINE IN on the Master Speaker. The YELLOW (LINE IN) status LED will be illuminated.


Turn on your audio source and start playback.

Operation

Bluetooth® Priority Function

BT ON button activates the **Bluetooth®** priority function which will automatically select the **Bluetooth®** input after a paired audio device is connected.


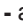
BT OFF button deactivates this function – the input must be selected manually by pressing the  button.

Note! When the a **Bluetooth®** device is not paired, the  button will not operate and the LINE IN will be selected automatically.

For the **Bluetooth®** operation and pairing – check “Play via **Bluetooth®**” for more details.

Sound Control

VOLUME regulation:

Using the  - and  + buttons, you can adjust the volume level from minimum to maximum.



Too high volume level may result in deterioration of sound quality and distortion, which may damage the System - this may void your warranty. If you hear distortion or notice that the speakers are not working normally, turn down the volume immediately.

MUTE

During playback press this button to stop audio output (no sound will be audible) – the RED status LED will be flashing slowly.

Press it again to recover the audio signal output back - the RED status LED will turn off.

Tone Regulation:

Treble

You can adjust the treble level.

Press the **Treble** - button to decrease the amount of high frequencies by -1dB.

Press the **Treble +** button to increase the amount of high frequencies by +1dB.

Bass

You can adjust the bass level.

Press the **Bass** - button to decrease the amount of low frequencies by -1dB.

Press the **Bass +** button to increase the amount of low frequencies by +1dB.



Increasing the amount of bass / treble at high volume levels may damage this System. This may void your warranty.

Operation

Direct Function (🎵):

Press this button to reset Bass and Treble to factory settings (flat = 0).

Note! After reset, **Bluetooth®** playback may be stopped, restart the playback on the audio source.

Memory Function

The set volume and tone levels are saved in the System memory. They will be restored each time the System is switched on, as well as after a power failure.

Indication of Receiving a Command from the Remote Control

Each time any button on the remote controller is pressed and the command is properly received by the System – the RED status LED will flash once – when a button is kept pressed down the RED status LED will be flashing quickly.

Note! The above operation does not apply to Power ON/OFF, 🎧, LINE and 🔇 buttons.

Note! The RED status LED will not react, when:

- a given function is already selected and you press the button to activate it one more time, (for instance, the Auto Standby function is already ON and you press the AUTO ON button again);
- limit regulation is reached (for instance, the treble is set to maximum and you will keep pressing the Treble + button).

Play via *Bluetooth*[®]

PAIRING

1. After the System is switched on - the built-in **Bluetooth**[®] receiver is waiting to be paired with a **Bluetooth**[®] source.
2. If no audio source device is paired and connected with the System, then the BLUE (**Bluetooth**[®]) status LED will be flashing.
Note! If no device is paired within a few minutes then the BLUE (**Bluetooth**[®]) status LED will turn off.
3. Activate and select **Bluetooth**[®] on your audio source device (smartphone, laptop etc.) and start scanning for available **Bluetooth**[®] devices.
4. After a short time “RB-1650BT” will appear on the screen of your audio source.
5. Select “Pair” on your audio source device to connect with the System.
After the operation is successful the BLUE (**Bluetooth**[®]) status LED will be illuminated continuously and it will remain illuminated as long as the current connection is active.
Note! Some audio source devices may not be compatible.
6. If you disconnect the active **Bluetooth**[®] connection on your audio source device, then BLUE (**Bluetooth**[®]) status LED will be flashing, indicating that the System is ready to pair / connect with another audio source device.
7. The System will now be ready to play your music wirelessly within a range of approximately 5 meters.
Start playback on your audio source device.

Note! Please refer to your audio source user instruction for details on operating the **Bluetooth**[®]. Operation and names of specific functions may vary on different devices.

Important Notes - *Bluetooth*[®] Connection

1. When you want to use another **Bluetooth**[®] audio source than currently active, you have to disconnect the active connection and start the **Bluetooth**[®] connection procedure.
2. Make sure that there are no objects placed between an audio source and the System obscuring the **Bluetooth**[®] signal which may result in unstable or no connection.
3. This unit supports A2DP (Advanced Audio Distribution Profile).

Note! The above listed functionality may vary on different **Bluetooth**[®] audio sources (smartphones, computers or other compatible devices).

For some audio source devices it may take a shorter or longer period of time to reconnect to the System or it may even require to repeat the pairing procedure each time the **Bluetooth**[®] connection is lost.

Note! If your **Bluetooth**[®] audio source is not able to find the “RB-1650BT” device or connect to it then switch off and repeat the pairing procedure.

Painting

The grille and the frame, may be painted to match your room decoration.

If you want to paint the speaker frame use the part of the template remaining after the hole has been cut out. With the grille removed, protect the speaker with this part and paint the frame.

When painting the grille, make sure to remove the protective internal fabric (if your speaker is equipped with it) and to not plug the grille holes with paint or repaint it after the paint has dried. If your speaker was equipped with the protective internal fabric make sure to place it on the grille after the paint has dried.

Installing the Grille

Before installing the grille run your amplifier and check whether there are no vibrations audible from the speaker. If you hear any, it may be caused by loose screws - tighten them up.

Install the grille and enjoy the music and movies!

Kit Content

Active (Master) Speaker	1EA
Passive (Slave) Speaker	1EA
Remote Controller (without batteries)	1EA
Cardboard Template	1EA
Speaker Cable	1EA
Power Adapter with DC Power Cable	1EA
Power Cable	1EA
Instruction Manual	1EA

Specifications


We strongly advise to contact a professional installer or dealer in order to install TAGA Harmony products.

We recommend using high quality TAGA Harmony cables and other installation accessories.




Amplifier power	2 x 30W RMS 110W Dynamic Peak HPCDA Class D
Wireless connectivity	Bluetooth® v4.0
Frequency response	38Hz - 20kHz
Impedance	8ohm
Sensitivity	89dB (1W / 1 m)
High-frequency driver	25 mm (1"), TPTTD Swivel mount
Bass-Midrange driver	165 mm (6.5"), Kevlar®
Analog inputs	LINE IN stereo (RCA / 3.5 mm) Input Sensitivity: 400mV (RCA / 3.5 mm)
Total Harmonic Distortions	≤0.2%
Signal/Noise ratio	≥92db
Dimensions (H x W x D or Dia x D)	23 x 9.5 cm (Power Adapter 3.2 x 5.2 x 12 cm)
Cutout Dimensions (Dia)	19.8 cm
Minimum Mounting Depth	13 cm
AC power / power consumption	DC 24V, 3A AC 100-240V 50/60Hz, 70W
Weight	Active: 1.3 kg / Passive: 1.2 kg

We reserve the right to change the technical data and the design of the product without notice as a result of further development.

EU declaration of conformity

	<p>Your product is marked with the symbol shown on the left. As its manufacturer, hereby we declare that the product is in compliance with the following EU directives and regulations: 2014/53/EU (RED) & 2011/65/EU (RoHS)</p> <p>The full text of the EU declaration of conformity is available from the manufacturer.</p>
---	---

Disposal of the product

 	<p>Disposal of old electrical & electronic equipment (applicable in the European Union and other countries with separate collection systems)</p> <p>This symbol on the product or on its literature and packaging indicates that this product shall not be treated as household waste. Instead it shall be handed over to the appropriate collection point for the recycling of electrical and electronic equipment. By ensuring that this product is disposed of correctly, you will help to prevent potential negative consequences for the environment and human health, which could be caused by inappropriate waste handling of this product. The recycling of materials will help to conserve natural resources. For more detailed information about recycling of this product, please contact your local government office, your household waste disposal service or the shop where you purchased the product.</p>
	<p>Disposal of waste batteries (applicable in the European Union and other countries with separate collection systems)</p> <p>This symbol on the battery or on the packaging indicates that the battery provided with this product shall not be treated as household waste. On certain batteries this symbol might be used in combination with a chemical symbol. The chemical symbol for lead (Pb) is added if the battery contains more than 0.004 % lead. By ensuring that these batteries are disposed of correctly, you will help to prevent potentially negative consequences for the environment and human health which could be caused by inappropriate waste handling of the battery. The recycling of the materials will help to conserve natural resources. In case of products that for safety, performance or data integrity reasons require a permanent connection with an incorporated battery, this battery should be replaced by qualified service staff only. To ensure that the battery will be treated properly, hand over the product at end-of-life to the appropriate collection point for the recycling of electrical and electronic equipment. For all other batteries, please view the section on how to remove the battery from the product safely. Hand the battery over to the appropriate collection point for the recycling of waste batteries. For more detailed information about recycling of this battery, please contact your local government office, your household waste disposal service or the shop where you purchased the product or battery.</p>

TAGA EUROPE
POLPAK POLAND Sp. z o.o.
AL.JEROZOLIMSKIE 331A
05-816 REGULY k/WARSZAWY, POLAND
Email: Sales@TagaHarmony.com

www.TagaHarmony.com

Notes

Notes

Notes
