

IS VW 155

Technical Sheet

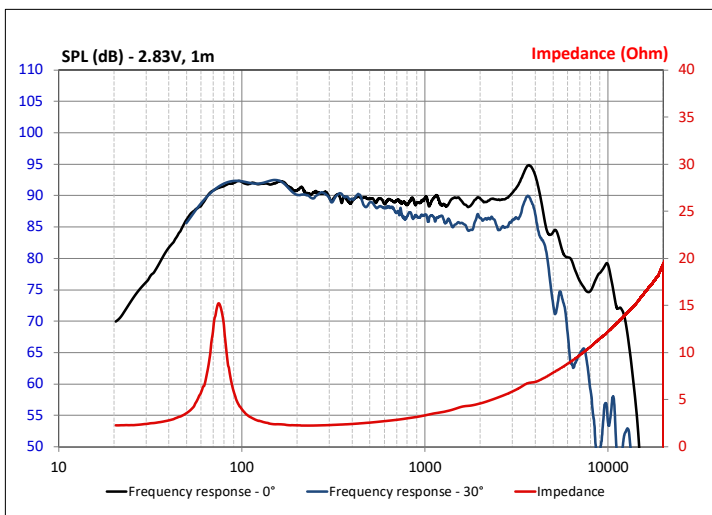
Woofer



SPECIFICATIONS

Nominal power	50W
Maximum power	100W
Sensitivity	92dB
Nom. impedance	2 Ω
Cone	Black Polyglass
Surround	Butyl
DC resistance	2.08 Ω
VC diameter	25mm 1"
Former	Kapton
Layers	2
Wire	Copper
Net weight	700g 1.54 lbs

FREQUENCY RESPONSE/IMPEDANCE

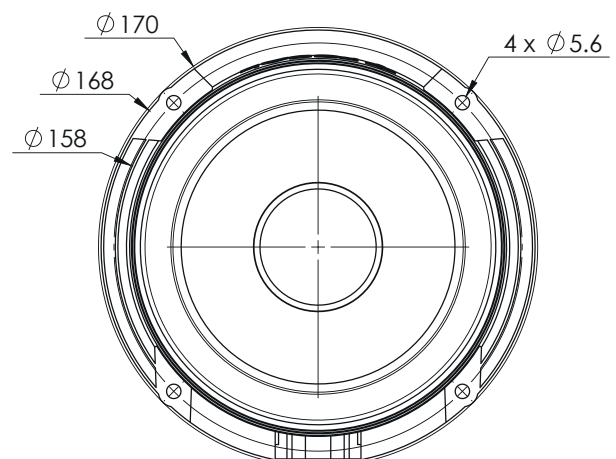
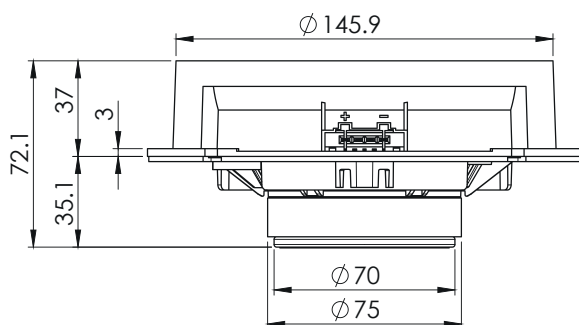


PARAMETERS

Rdc	2.03 Ω
Fs	73.7Hz
Mms	16g
Cms	0.29mm/N
Vas	5.99 l
Qts	0.868
Qes	0.99
Qms	7
Bxl	3.94N/A
Sd	120.76cm ²
SPL	86dB
Xmax	7mm

MECHANICAL DRAWING

Dimensions in mm



FOCAL® INSIDE

Focal® is a trademark of Focal-JMLab® - www.focal.com - SCCG - 09/11/2020 - v1

FOCAL®