

ICC T3Y 100

Technical Sheet

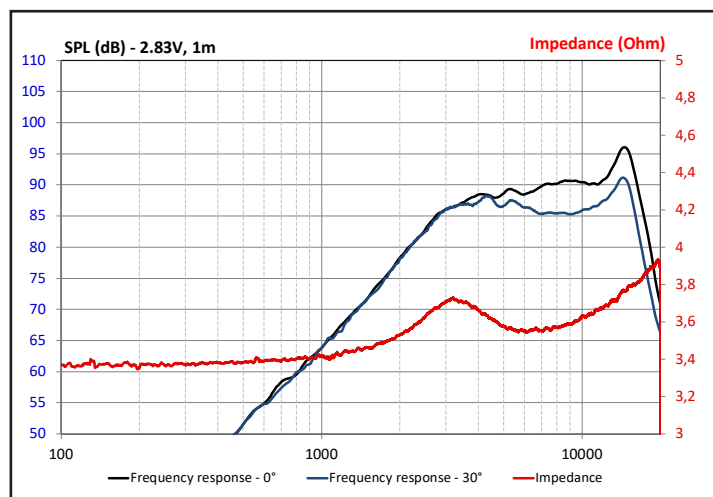
Tweeter



SPECIFICATIONS

Nominal power	15W
Maximum power	100W
Sensitivity	91dB
Nom. impedance	4Ω
Cone	Alu
DC resistance	3.4Ω
VC diameter	20mm 0.8"
Former	Kapton
Layers	2
Wire	Alu
Net weight	40g 0.08lbs

FREQUENCY RESPONSE/IMPEDANCE

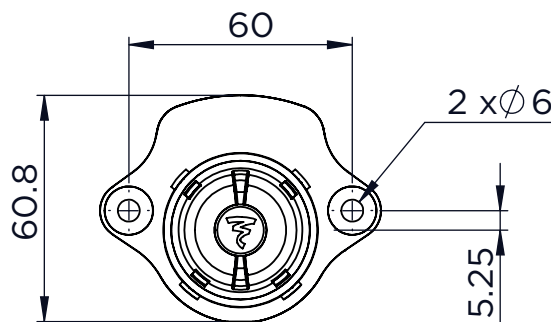
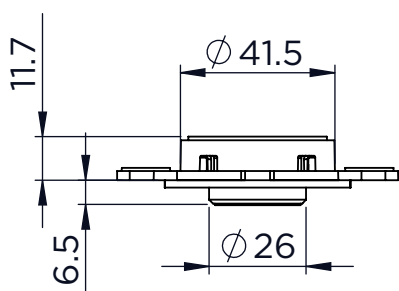


PARAMETERS

Rdc	3.5Ω
Fs	3.200Hz
SPL	88dB

MECHANICAL DRAWING

Dimensions in mm



FOCAL® *INSIDE*