

High performance, passive full range, two way cabinet. It offers a wide dispersion of 60° H x 60° V and 121dB SPL (400W program).



Key features

- Ultra-compact light weight
- Versatile sound reinforcement
- High performance
- Multiple rigging / mounting options

Applications

- Club & bar installations
- Sound reinforcement
- Theatres
- Houses of worship
- Multi media spaces
- Public address

General description & specifications

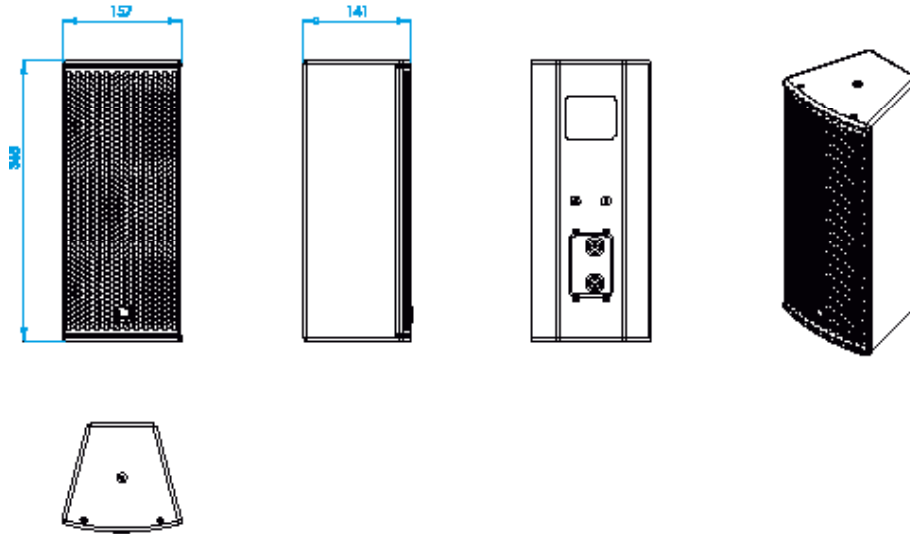
The HR-204 enclosure is a high-performance passive full range, with an excellent power-size ratio. It consists of a dual 4" transducer with a 1" tweeter. It offers 121 dB SPL (400 W program).

For Low Frequency reinforcement, several subwoofer options are available.

Technical Data

Components	
• LF	2 x 4", 1.3" voice coil
• HF	1 x 1" tweeter
Frequency range	70 Hz - 20 KHz (-10 dB)
Frequency response	80 Hz - 20 KHz (± 3dB)
Sensitivity	95 dB
Max SPL	118 dB - 124 dB peak
Coverage Angle	60° H x 60° V
Power	200 W AES, 400 program, 800 peak
Nominal impedance	16 Ω
Connectors	2 x Neutrik Speakon NL4MP
Finish	Polyurea coating, black colour
Material	9 mm premium birch plywood
Dimensions	370 x 157 x 142 mm (H x W x D)
Weight	3.3 Kg (7.27 lbs)

Dimensional Drawing



Accessories

	AGR-6	Eye bolt for the HR-204
	UBR-HR204	Horizontal bracket for the HR-204
	WB-10/2	Wall bracket for HR-204

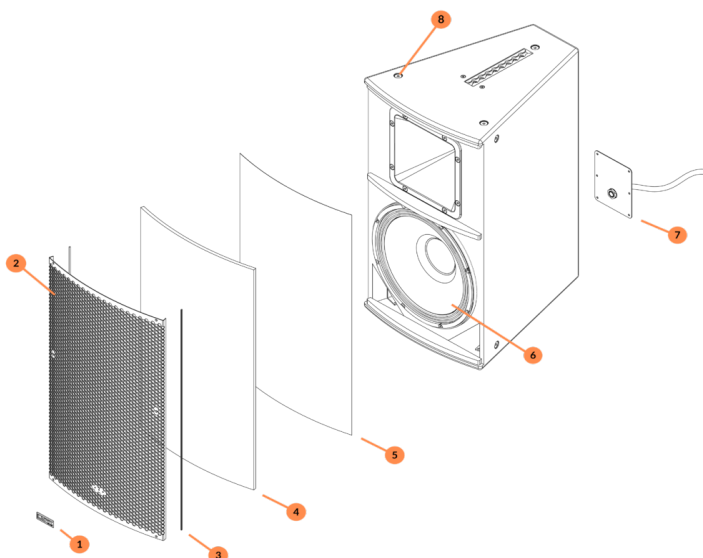
Weather-resistant version

Our Weather-resistant speakers are designed to withstand harder weather conditions, where the cabinets are exposed to the elements.

RAL available on request. Polyurea coating with aliphatic colour paint.

Colours:

Black polyurea coating with microtextured metal parts.



1. Anodized aluminium logo for durability outdoors.
2. Stainless steel 1 mm 316 L grill. Also available in aluminum with protective layer and micro textured paint.
3. Weatherstrip edging for extreme protection.
4. Acoustex filter: hydrophobic polyester sheet to prevent the penetration of water and external elements produced by extreme weather conditions.
5. 35 ppi Acoustic foam to protect against dust particles.
6. Waterproof protected cone on both sides
7. Aluminum back plate with pressure gland for an extra tight connection and easy installation.
8. M10 stainless steel 316 L screws (A4).