

HR-108 (64/96/124)



High performance, ultra-compact, full range, versatil sound reinforcement, 60° x 40° / 90° x 60° / 120° x 40° rotatable cabinet. It offers 125 dB SPL (400 W program).



Key features

- Ultra-compact
- Versatile sound reinforcement
- High performance
- ARK processor optimised preset
- Multiple rigging / mounting options

Applications

- Club & bar installations
- Sound reinforcement
- Theatres
- Houses of worship
- Multi media spaces
- Public address

General description & specifications

Passive ultra compact, lightweight and very versatile enclosure especially designed for all types of installation projects. It consists of a 8" transducer and a 1" high frequency compression driver.

Different models available depending on the wide dispersion: 60° x 40° (HR-108/64)/ 90° x 60° (HR-108/96) / 120° x 40° (HR-108/124).

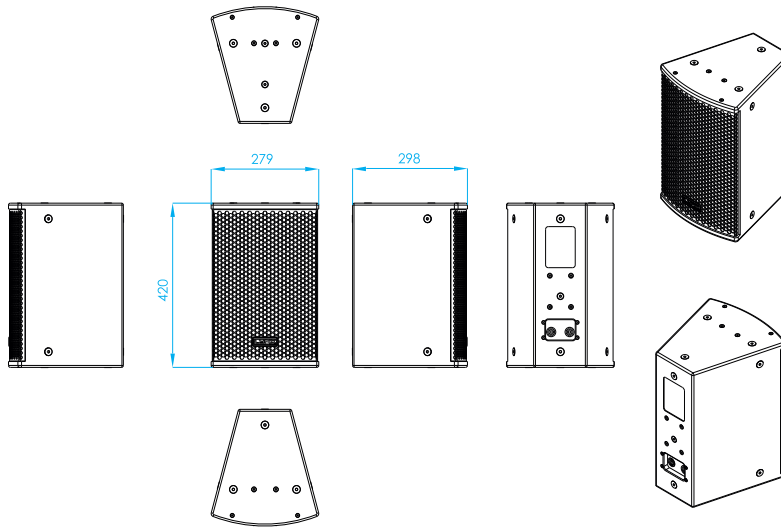
It is an excellent solution for all types of fixed installations and has a complete range of accessories to provide an easier installation. Although this cabinet can be used without a processor, we strongly recommend that the cabinet presets are applied for maximum optimization and performance.

For Low Frequency reinforcement, several subwoofer options are available.

Technical Data

Components	
• LF	1 x 8" - 2" aluminum voice coil carbon fiber cone
• HF	1" Exit compression Driver, 1.5" aluminium voice coil, High Temperature Polymer
Frequency range	60 Hz - 20 KHz (-10dB)
Frequency response	78 Hz - 20 KHz (± 3dB)
Sensitivity	90 dB (1W@1m)
Max SPL	122 dB - 128 dB Peak
Coverage Angle	60° x 40° / 90° x 60° / 120° x 40° rotatable horn
Power	200 W (400 W program, 800 W peak)
Crossover	Passive
Nominal impedance	8 Ω
Connectors	2 x Neutrik Speakon NL4MP / 4 x Terminal Block 7.62 mm between pins
Finish	Polyurea coating, black colour
Material	15 mm premium birch plywood
Dimensions	420 x 279 x 298 mm (H x W x D)
Weight	10 Kg (22 lbs)

Dimensional Drawing



Accessories

	UBR-HR8	U bracket for HR-108
	WB-20/2	Wall bracket for HR-108
	AGR-6	M6 eye bolt for HR-108

NOTE: This cabinet is compatible with Konig & Meyer 195/8 mounting adapter for speaker stands with tube diameter 35 mm. This accessory is not provided by Lynx Pro Audio.

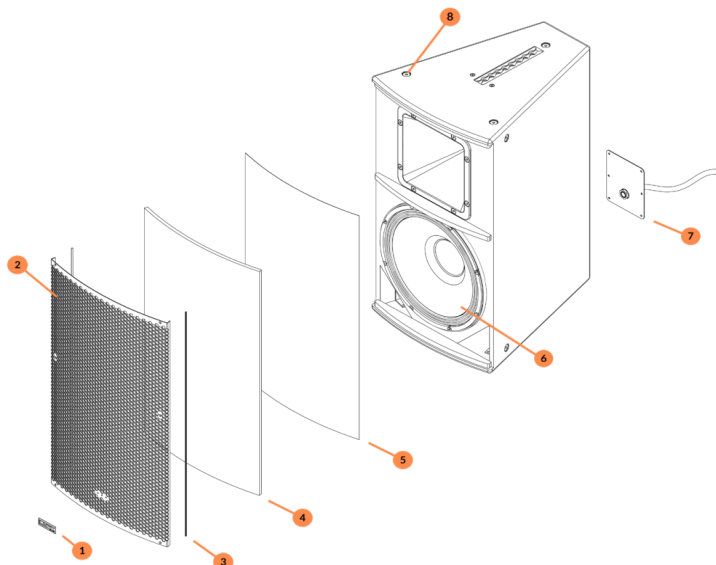
Weather-resistant version

Our Weather-resistant speakers are designed to withstand harder weather conditions, where the cabinets are exposed to the elements.

RAL available on request. Polyurea coating with aliphatic colour paint.

Colours:

Black polyurea coating with microtextured metal parts.



- Anodized aluminium logo** for durability outdoors.
- Stainless steel 1 mm 316 L grill.** Also available in aluminum with protective layer and micro textured paint.
- Weatherstrip edging** for extreme protection.
- Acoustex filter:** hydrophobic polyester sheet to prevent the penetration of water and external elements produced by extreme weather conditions.
- 35 ppi Acoustic foam** to protect against dust particles.
- Waterproof protected cone** on both sides
- Aluminum back plate with pressure gland** for an extra tight connection and easy installation.
- M10 stainless steel 316 L screws (A4).**