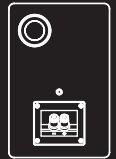
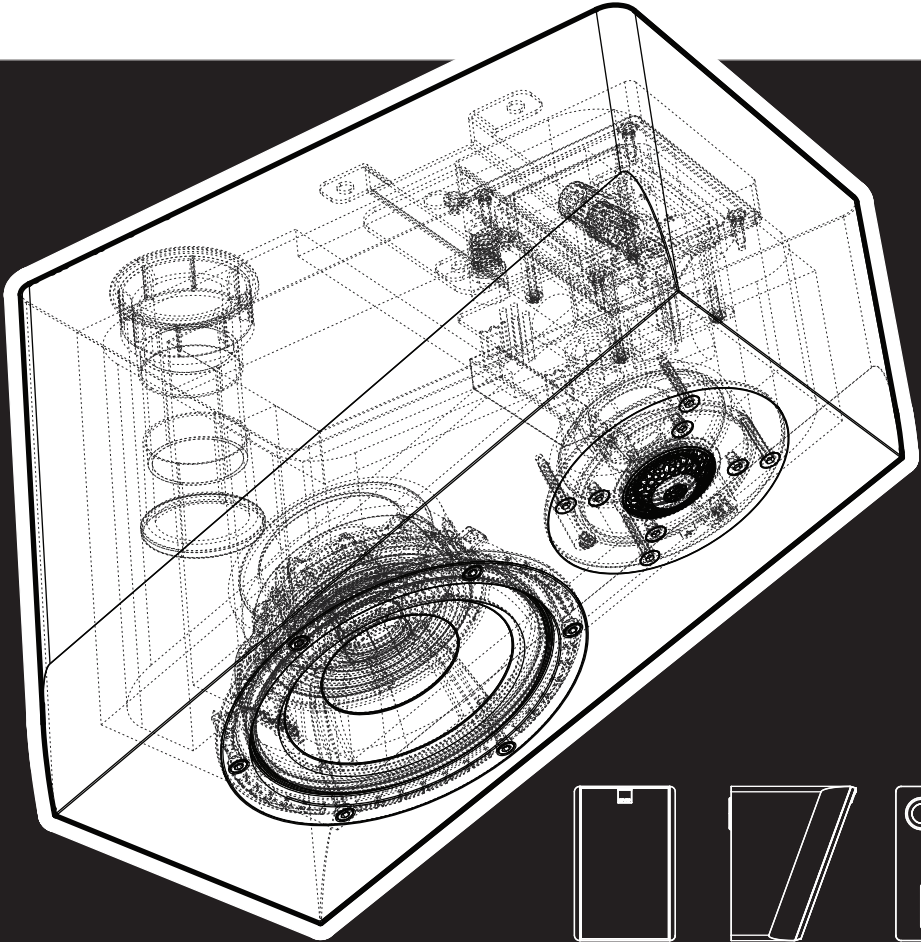


SVS

Ultra Elevation

Reference home theater speaker



Owner's Manual



Thank you for choosing SVS. We believe an unrelenting passion for sonic excellence combined with design innovation are the keys to making world-class audio products. We think you'll agree.

Breakthroughs in driver technology, tweeter design, material science, and cabinet geometry all feature prominently in the new SVS Ultra Evolution Series speakers. The science of great sound combined with our love of immersive audio experiences are at the heart of every model. We want nothing more than to set the bar for performance at any price and exceed your expectations in every way possible.

If you have questions about installation, wiring, optimizing sound quality, or anything else, please contact the SVS Customer Service team.

Ultra Elevation Brings Audio to New Heights

The SVS Ultra Elevation is the ultimate adaptation of the world's most versatile home theater speaker. When we introduced the Prime Elevation speaker, it quickly became one of the most popular products in SVS history bringing immersive surround sound and height effects to countless home theaters. Enter the Ultra Elevation, with a wider frequency response and greater dynamic output.

Ultra Elevation adapts to any room, placement, and position. It is an ideal solution for Atmos, DTS:X®, and any home theater surround sound formats because it is acoustically engineered to offer the same detailed frequency response, no matter what role it is playing.

Thoughtfully engineered for pristine clarity and stunning dynamics no matter how or where it is installed, Ultra Elevation offers unrivaled versatility without compromising on sound. Even the logo on the front grille is adjustable to match your placement choice, because we know perfection matters.

All of the hardware and instructions you need to install the SVS Ultra Elevation Speaker are included. If you have questions about installation, wiring, calibration, or anything else, please contact our SVS Sound Experts support team for prompt, professional service.

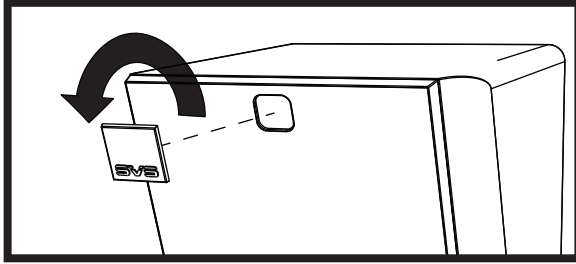
www.svsound.com • custservice@svsound.com • (877) 626-5623

Table Of Contents

ADJUSTABLE SVS GRILLE LOGO.....	4
RECOMMENDED ULTRA ELEVATION PLACEMENT OPTIONS.....	4
DOWN-FIRING HEIGHT EFFECTS SPEAKER.....	5
UP OR DOWN-FIRING CENTER CHANNEL SPEAKER.....	8
UP OR DOWN-FIRING FRONT CHANNEL L-C-R SPEAKER.....	8
SIDE OR REAR FIRING SURROUND SPEAKER.....	9
WIRING YOUR ULTRA ELEVATION SPEAKERS.....	10
MOUNTING THE SVS MULTI-ANGLE WALL BRACKET.....	11
OVERHEAD CEILING MOUNTING.....	13
INSTALLING FEET FOR SURFACE PLACEMENT.....	14
CONNECTING TO YOUR AV RECEIVER.....	15
CARING FOR YOUR SVS ULTRA ELEVATION SPEAKERS.....	15
WARRANTY.....	16
SHARE YOUR THOUGHTS.....	16
ULTRA ELEVATION SPEAKER FEATURES & SPECIFICATIONS.....	17

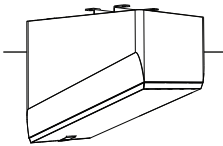
Adjustable SVS Grille Logo

A unique feature of the Ultra Elevation Speakers is the magnetic SVS grille logo that can be removed and reattached for proper alignment, no matter what position the speaker is being used in. Simply pull the magnetic logo off with your fingertips, rotate and reattach in the desired position.

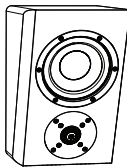


Recommended Ultra Elevation Placement Options

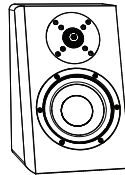
The incredible versatility of the SVS Ultra Elevation speaker gives you several options when choosing how and where to use it. There is no sideways or upside down with the SVS Ultra Elevation. It is acoustically engineered to offer the same amazing performance no matter what role it's playing. The speaker addresses a multitude of placement and set-up challenges and offers the fidelity of an expertly designed Height Effects, Center Channel, Front Channel L-C-R and/or Surround Sound speaker, from a single solution. The following sections highlight the best practices for installing your SVS Ultra Elevation in each application.



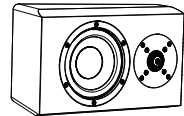
DOWN-FIRING (ceiling)



DOWN-FIRING (wall)



UP-FIRING



SIDE-FIRING

Room shape, furniture, design elements and other conditions are always a factor with speaker placement, so our SVS Sound Experts are available seven days a week to provide helpful advice if you have a challenging room or don't know where to start: 1.877.626.5623, custservice@svsound.com, www.svsound.com.

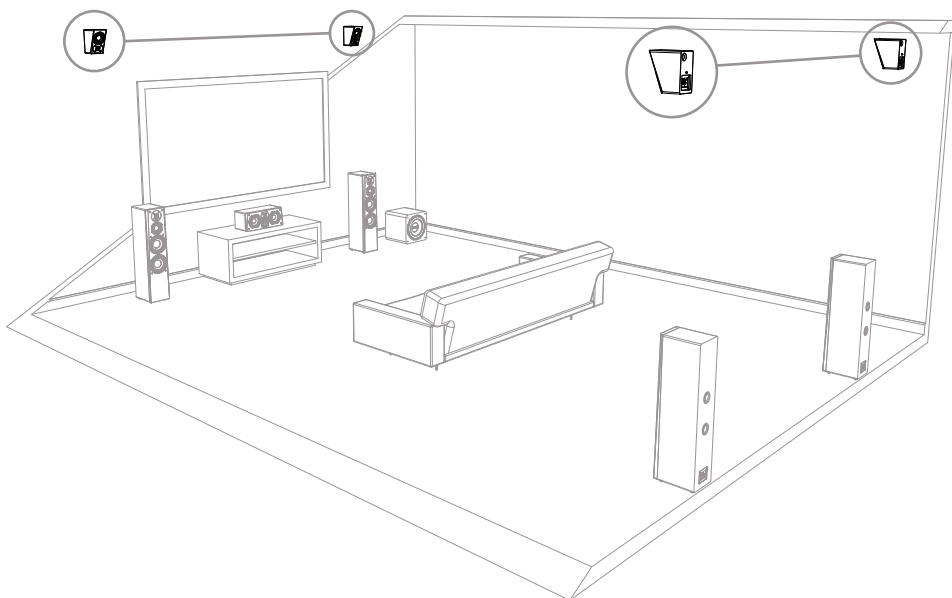
Recommended Ultra Elevation Placement Options

Down-Firing Height Effects Speaker

Audio formats such as Atmos and DTS:X® make use of object based “height effect” speakers to create an even more immersive, three-dimensional audio experience. To achieve this effect, the SVS Ultra Elevation speakers should be mounted to the side walls, front wall, rear wall as close to the ceiling as possible, or to the ceiling directly.

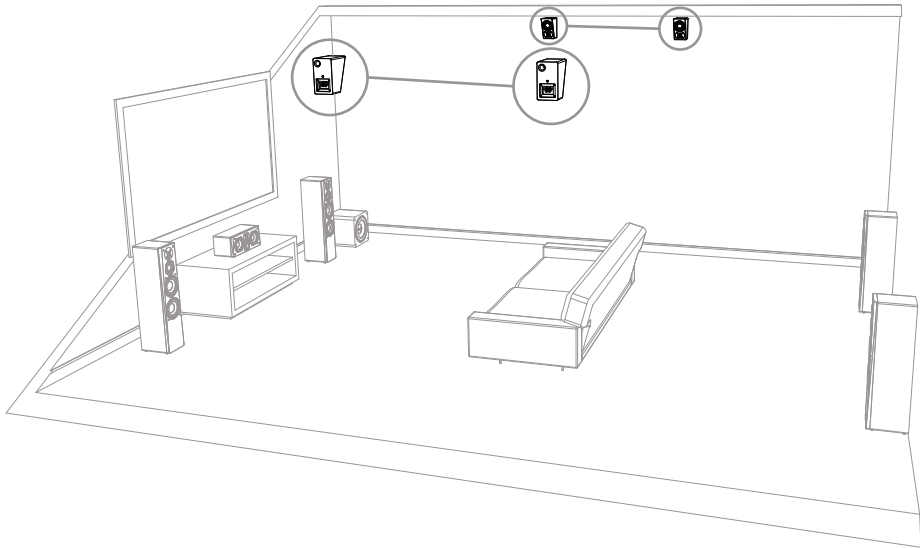
The diagrams below highlight the optimal angles for speaker placement, relative to the primary listening area. Most height effect speaker installations make use of two or four height effects speakers integrated into a traditional surround sound configuration such as 5.1, 7.1, 11.2 etc.

5.1.4 system with front/rear height channels

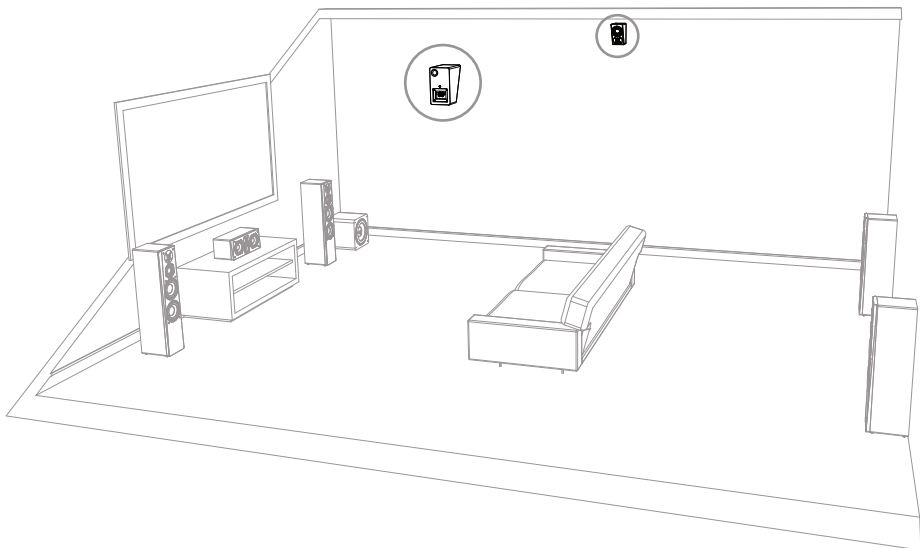


Recommended Ultra Elevation Placement Options

5.1.4 system with four side height channels

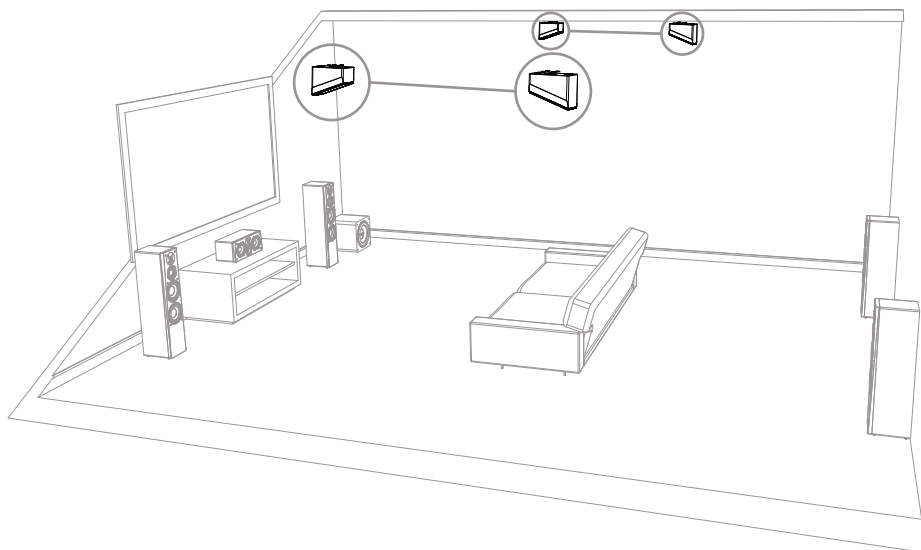


5.1.2 system with two side height channels

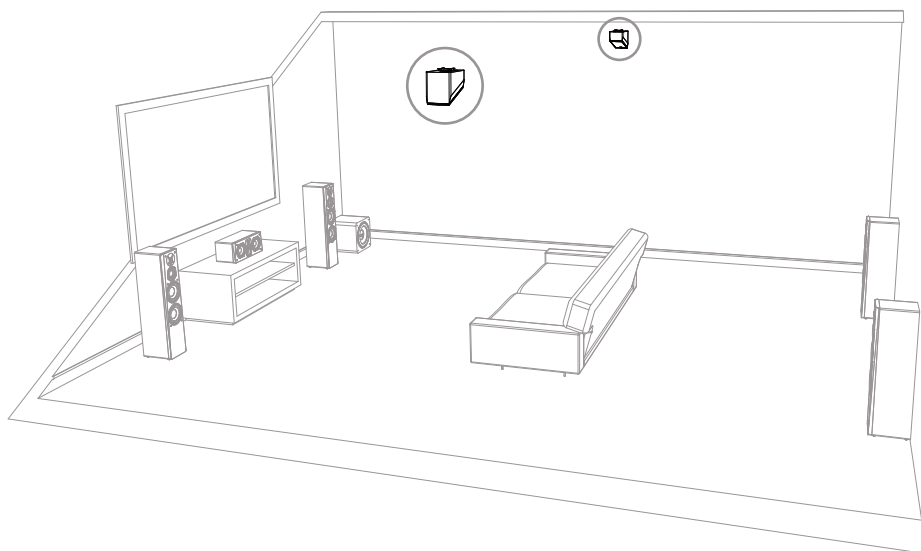


Recommended Ultra Elevation Placement Options

5.1.4 system with four ceiling height channels



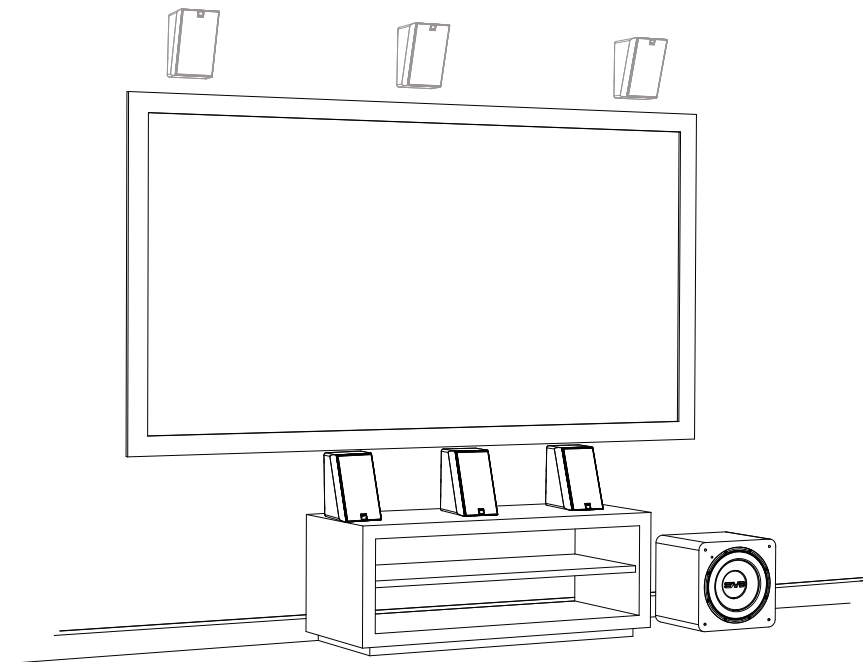
5.1.2 system with two ceiling height channels



Recommended Ultra Elevation Placement Options

Up or Down-Firing Center Channel Speaker

The SVS Ultra Elevation can serve as a center channel speaker solution when placement at ear level is not possible. Because of its angled front baffle, it can be placed on a piece of furniture below a TV and angled up, or high on the wall above a screen and angled down toward the listening area. For optimum dynamics and sound quality, the center channel should always be centered relative to the screen and primary seating position .



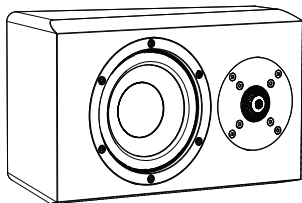
Up or Down-Firing Front Channel L-C-R Speaker

The Ultra Elevation Speakers can also be used in an up or down-firing position as Front Left, Center, and Right speakers. As above, all three speakers can be placed closer to the floor and angled up towards the listening area. Likewise, all three speakers can be placed across the top of the front wall and angled down towards the listening area.

If you have more than one row of seating, we recommend using the high position so the sound can reach the rear seating with impact.

Recommended Ultra Elevation Placement Options

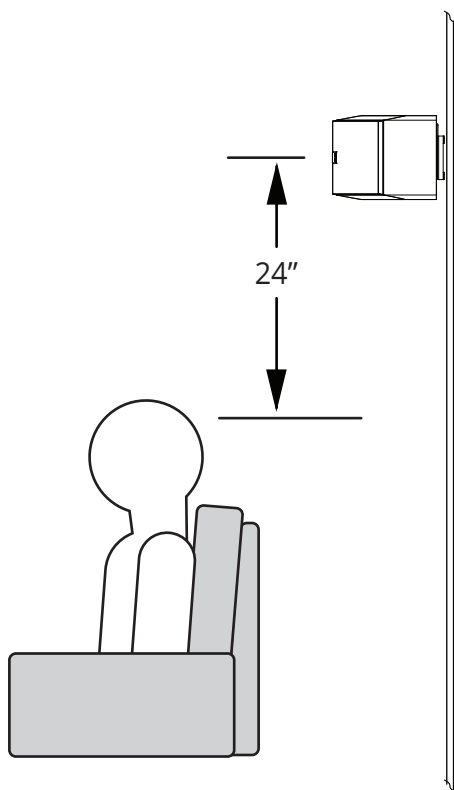
Side or Rear-Firing Surround Sound Speaker



The SVS Ultra Elevation offers great flexibility as a surround sound speaker in any set-up, but especially when placement on a side or rear wall is not optimal. As a side surround, the Elevation can be placed towards the back of the room in a front firing position. For rear surround channels, the speakers can be placed on a side wall in a rear firing position. Since the angled front baffle is directing the sound towards the back wall, it will provide rear surround effects and a diffuse sound field.

The mounting height is important to consider when locating your SVS Ultra Elevation Speakers, especially when using as a rear or side surround. For the best sense of spaciousness, the tweeter height of your speaker should be about two feet above ear level at the listening position.

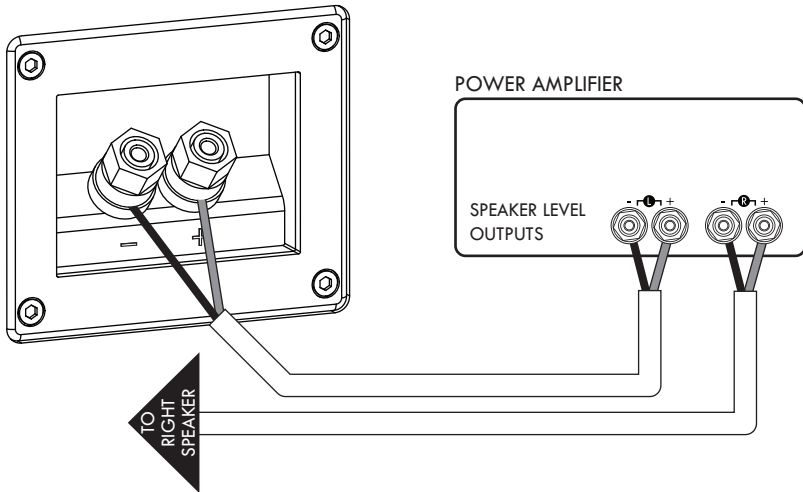
If overhead effects speakers are already being used in other channels of the system, it is best to mount the Ultra Elevation closer to ear level when used as surround speakers.



Wiring Your Ultra Elevation Speakers

The SVS Ultra Elevation Speakers include convenient gold-plated five-way binding posts, which accept cables terminated with banana plugs, speaker pins, spade connectors, and bare wire. As with any speaker wire run, always measure twice, cut once and allow an extra foot or two of cable, just to be safe.

Once you have the proper length, simply connect each speaker to the appropriate channel of your receiver or power amplifier. Always be sure to maintain proper +/- polarity between the speaker and the amplifier.

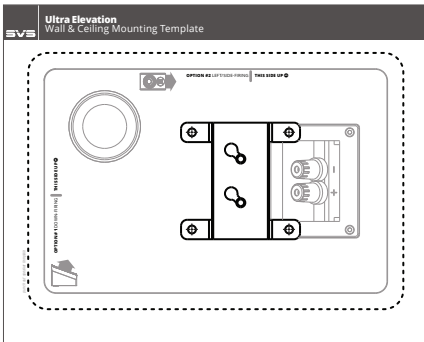
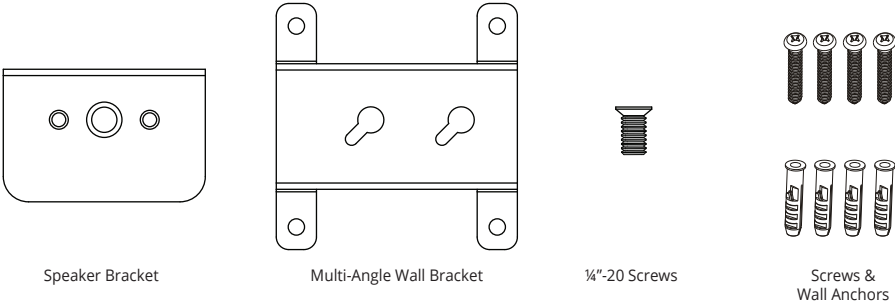


Mounting With the SVS Multi-Angle Wall Bracket

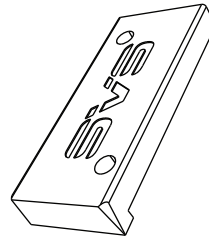
Your SVS Ultra Elevation Speaker is ready to be mounted right out of the box with all the hardware included. It also features a universal mounting option with a ¼" brass insert that works with many other mounting kits.

When installing the SVS Multi-Angle Wall Bracket, it is best to screw it directly into a stud or structural part of the wall. If mounting directly to a stud is not a viable option, use drywall or masonry anchors rated to support weights of 15 pounds or more.

Installation Hardware:



Mounting Template



Magnetic Ceiling Lock

Mounting With the SVS Multi-Angle Wall Bracket

Mounting Instructions:

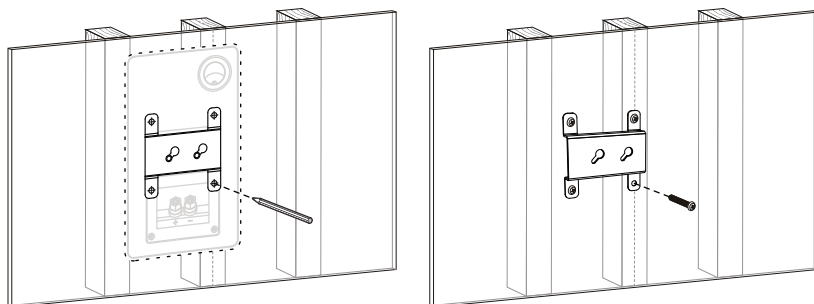
The SVS Ultra Elevation's flexible Multi-Angle Wall Bracket allows you to position the speaker in any of four directions: up or down firing, and side or rear firing, depending on how it's being used.

- 1) Place the mounting template on the wall to confirm the exact location and positioning of your Ultra Elevation speaker based on the recommended placement options.

Note: It is important the Multi-Angle Wall Bracket be installed with two or more screws in a stud to ensure stable mounting.

- 2) Push a pencil through the marked screw locations on the mounting template. Be sure to note where your speaker wire will be located relative to the terminals in the mounting template.

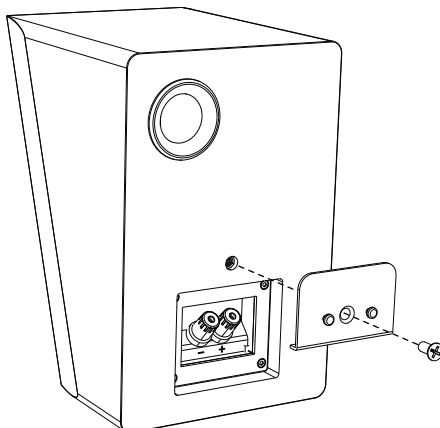
- 3) Use the included hardware to attach the wall bracket to the wall. This is a good time to measure and prepare your speaker wire if you haven't already.



Note: If you have any questions about the correct hardware for mounting the Multi-Angle Wall Bracket, please contact our SVS Sound Experts.

Mounting With the SVS Multi-Angle Wall Bracket

4) Attach the included speaker bracket with the $\frac{1}{4}$ " screw into the brass insert on the back of the speaker. Make sure the speaker bracket is locked into position with the lip closest to the terminal. The foam EVA gasket will ensure a tight fit with the speaker.



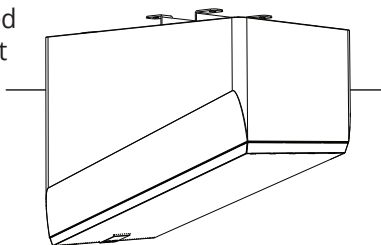
5) Connect the speaker wire to your binding posts and hang the Ultra Elevation on the Multi-Angle Wall Bracket as shown. The gasket will make a tight fit and eliminate any possible vibration noise.

Note: There will be about $\frac{3}{4}$ " of space between the rear of the speaker and the wall to provide enough space for both the port and your speaker wire connection.

Overhead Ceiling Mounting

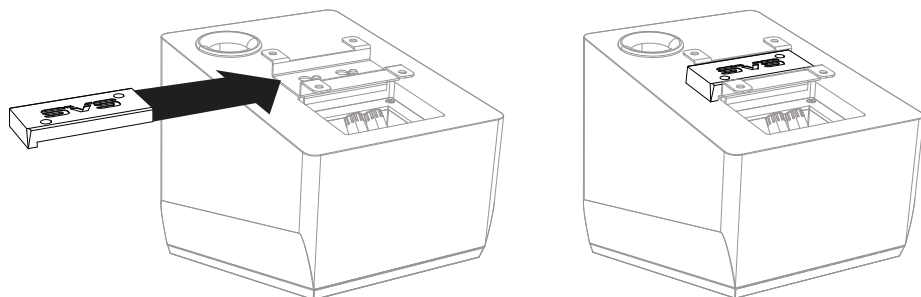
The SVS Ultra Elevation speaker can be installed on the ceiling with the Multi-Angle Wall Bracket and secured safely in place with the Magnetic Ceiling Lock. When mounting the SVS Ultra Elevation, be sure to follow the same safety guidelines for regular wall mounting.

Note: Always install the Multi-Angle Wall Bracket with two or more screws into a stud or ceiling joist to ensure secure and stable mounting.



Overhead Ceiling Mounting

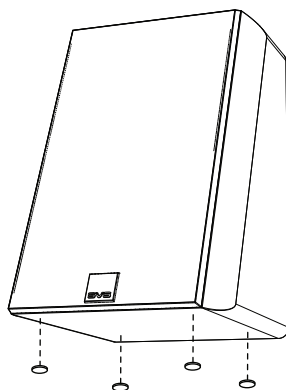
- 1) With Ultra Elevation mounted to the ceiling with the Multi-Angle Wall Bracket, align the Magnetic Ceiling Lock with the space between the bracket and ceiling.
- 2) Slide the Magnetic Ceiling Lock into place until the lip meets the edge of the Ultra Elevation Multi-Angle Wall Bracket. This ensures the speaker will never become dislodged from the bracket.



Note: If you have any questions about the correct hardware for mounting the Multi-Angle Wall Bracket, please contact our SVS Sound Experts

Installing Feet For Surface Placement

The SVS Ultra Elevation Speakers include stick-on bumper kits that can be attached to the bottom to offer protection when placed on speaker stands, desktops, shelves, and other surfaces.



Connecting To Your Av Receiver

The rear panel of your AV receiver has a variety of connection terminals for wiring your Ultra Elevation speakers, depending on the chosen application. Because terminology varies among manufactures, please consult your AV Receiver or Processor's instruction manual to identify the proper terminals to use when connecting the speakers. The most common terms used to label channels are Front, Center, Surround, Side Surround, and Rear Surround. Object-based speaker terminals are often listed as Elevation, Height Effect or by the actual audio format (Atmos, DTS:X®, or others).

If you're using the Ultra Elevation as a height effect speaker and are having difficulty hearing the effects with clarity, you can raise the volume levels for that specific channel in your AV receiver settings to get the most impact possible.

Our SVS Sound Experts are familiar with all brands of AV Receivers and Amplifiers, so if you have any questions or concerns, just email custservice@svsound.com or call (877) 626-5623.

Caring For Your Ultra Elevation

Your Ultra Elevation Speakers may be gently cleaned as follows:

- Use a dry microfiber duster to remove any loose surface dust.
- Use a water-damp microfiber cloth to remove fingerprints, smudges and other contaminants. Wipe in one direction only.
- Follow any damp cleaning immediately with a dry microfiber cloth. Again dry wipe in one direction only.

5-year Unconditional Warranty

SVS offers the industry's most comprehensive warranty on all our products. SVS warrants the Ultra Elevation Speakers and all of its products to be free from defects in the workmanship for five years from date of purchase.

This, and all of the SVS customer Bill of Rights can be viewed online at www.svsound.com/bill-of-rights.

Share Your Thoughts

At SVS, we strive to deliver products that surpass every expectation. After you have had an opportunity to install and audition your Ultra Elevation Speakers, please share your comments for our team and other customers to see.



Write a review at svsound.com



Post at facebook.com/SVSound



Follow at instagram.com/SVS_Sound



Subscribe at youtube.com/SVS_Sound



Post (formerly tweet) @[SVS_Sound](https://twitter.com/SVS_Sound)

Ultra Elevation Speaker Features & Specifications

All specifications are subject to change. SVS is constantly working to improve our products and give you, the customer, the best listening experience from your purchase.

Ultra Elevation Specs:

Acoustic

- In-room Frequency Response: 48Hz to 40kHz (+/-3 dB)
- Nominal Impedance: 6 ohms
- Sensitivity: 87dB (2.83V @ 1 meter full-space, 300Hz - 3kHz)
- Recommended amplifier power: 20 - 150 watts

Speaker

- Elevation Loudspeaker
- Piano gloss black, piano gloss white, real black oak veneer finish options
- Gold-plated 5-way binding posts
- 1.4" wide-flared rear-firing ports
- Cloth grille with magnetic retention system
- Magnetic SVS Logo which can be removed and oriented according to speaker application
- Elastomer stick-on bumper feet
- Unique SVS Multi-Angle Wall Bracket system the allows speaker to be wall or ceiling mounted in. Magnetic Ceiling Lock included.
- 1/4" brass insert for use with included SVS Multi-Angle Wall Bracket and other bracket mounting systems.
- Cabinet Dimensions: 11.14" (H) x 7.28" (W) x 8.79" (D) / 283mm (H) x 185mm (W) x 223.2mm (D)
- Overall Dimensions: 11.3" (H) x 7.28" (W) x 9.17" (D) / 287mm (H) x 185mm (W) x 233mm (D) (includes grille, feet, and binding posts)
- Overall Dimensions: 11.14" (H) x 7.28" (W) x 9.82" (D) / 283mm (H) x 185mm (W) x 249.4mm (D) (includes grille and SVS Multi-Angle Wall Bracket)
- Shipped Dimensions (Pair): 11.6" (H) x 20.9" (W) x 15" (D) / 295mm (H) x 532mm (W) x 381mm (D)
- Weight Packaged Pair: 27.8 pounds / 12.6 kgs
- Weight Unboxed Each: 12.3 pounds / 5.6 kgs

Drivers

1" Diamond Coated Tweeter

- FEA-optimized Organic Cell Lattice Diffuser for airy, unveiled highs and pristine clarity
- Cutting-edge vapor-deposition grows a hyper-rigid diamond carbon coating on an aircraft-grade aluminum dome, pushing high-frequency extension further beyond human hearing, and delivering best-in-class fidelity, linearity, and transient response
- Silver tinsel for optimal signal transfer and power handling

5.25" Mid-Woofer

- Long stroke motor and suspension for high output
- Composite glass-fiber cone with excellent stiffness/mass ratio for high sensitivity and piston behavior beyond pass-band
- Precision-cast aluminum alloy baskets ensure precise alignment of critical components and maximize thermal dissipation
- Vented aluminum voice coil former to maximize thermal control while minimizing air compression artifacts at high drive levels

Crossover

- 2-way crossover with premium-grade capacitors, inductors, resistors, and heavy-trace printed circuit board
- Tweeter-to-Woofer crossover: 1.9 kHz

Cabinet

- Chamfered front baffle and flush-mounted drivers reduce edge diffraction and improve on-axis and off-axis high-frequency response.
- Extra-thick 1" (25mm) driver baffle ensures a rigid, resonance-free mounting for all drivers.
- FEA-optimized 3/4" (18mm) cabinet construction, bracing, and acoustic insulation eliminate acoustic and structural resonances, ensuring an inert enclosure and an uncolored response, even at the highest drive levels.
- Angled baffle and optimized crossover combine for perfect acoustic performance at any position.

Crossover & Cabinet



SVS
340 Victoria Rd.
Youngstown, Ohio 44515
United States
(877) 626-5623
www.svsound.com