

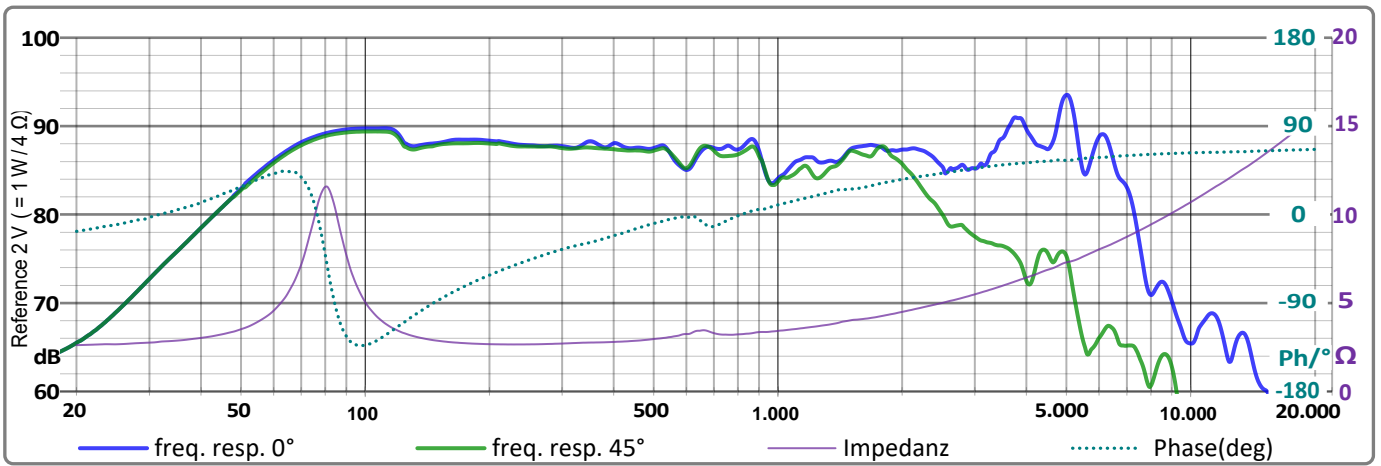
HG-165M-3

GLADEN
GERMAN TECHNOLOGY

Specifications

Woofer

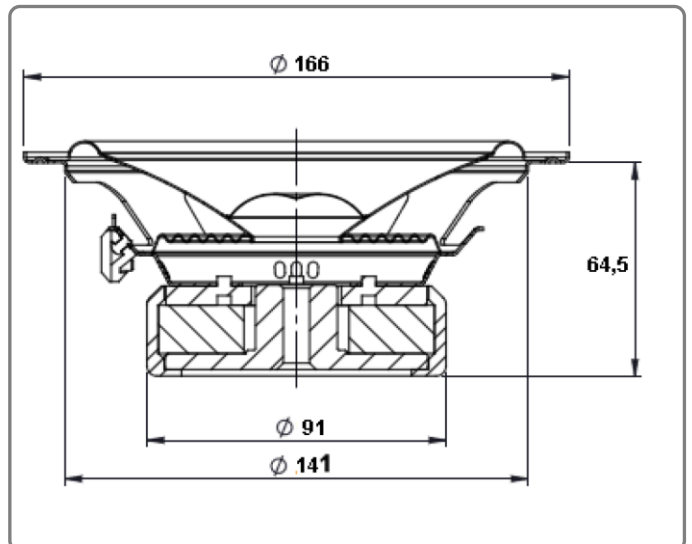
Diameter (outside/installation)	164 / 141	mm
Recommended application ⁽¹⁾	>52 - <3720	Hz
W / Cut-off fs	>50 Hz	12 dB 60 Watt ⁽¹⁾
	>75 Hz	12 dB 85 Watt ⁽¹⁾
	>100 Hz	12 dB 120 Watt ⁽¹⁾
SPL 2,83V/1m ⁽²⁾	92,0	dB
Nominal impedance	3	Ω



Parameters

DC resistance	Rdc	2,52	Ω
Resonance frequency	fs	80,65	Hz
Voice Coil diameter		25	mm
Voice coil winding height		12	mm
Pole plate strength		6	mm
Max. linear excursion	+/-	3	mm
Mechanical Q factor	Qms	4,97	
Electrical Q factor	Qes	1,4	
Total Q factor	Qts	1,09	
Moving mass	Mms	13,95	g
Effective piston area	Sd	147,41	cm ²
Mechanical resistance	Rms	1,421	Kg/s
Compliance	Cms	0,279	mm/N
Force factor	BL	3,567	Tm
Equivalent air volume	VAS	8,52	cm ³
Sound pressure ⁽²⁾	88,1 dB w/m	η ⁽³⁾	0,31 %

Dimensions (mm)



Recommended enclosure volumes

Sealed box	15	Liter
------------	----	-------

Vented box	17	Ltr
Port diameter Ø / area	60,4 mm	27 cm ²
Port length	12	cm
Tuning frequency (fB)	50	Hz

⁽¹⁾ via crossover with power distribution according to typical music signal. Depending on the vehicle and installation situation varying.

⁽²⁾ Ø within the recommended transmission range

⁽³⁾ TSP calculation