

High power, subwoofer cabinet with dual 18" low frequency transducers in bass reflex, direct radiation configuration. 145dB SPL (7200W Program).



Key features

- Incredible size to power ratio
- Versatile sound reinforcement
- High performance 3600 W
- ARK processor optimised preset

Applications

- Club & bar installations
- Live sound
- Theatres
- Houses of worship
- Multi media spaces
- Sound reinforcement

General description & specifications

The HR218 / 36 is a high performance passive subwoofer designed to work in conjunction with the full range of the HR series, offering a powerful high power boost between 34 and 200 Hz.

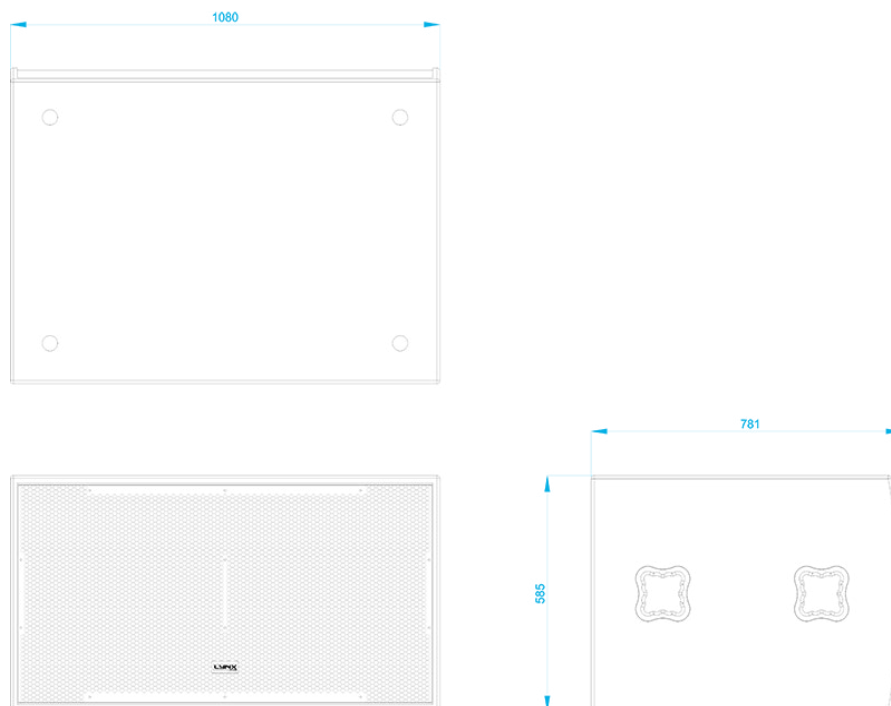
This enclosure offers an extraordinary power-volume-weight ratio, being a highly versatile sub-system in all types of installation projects.

High power, sub-bass cabinet with dual 18" low frequency transducers in bass reflex, direct radiation configuration. 145dB SPL (7200W Program).

Technical Data

Components	
• LF	2 x 18", 4" tetracoil dual voice coil
Frequency range	29 Hz – 200 Hz (-10dB)
Frequency response	34 Hz – 200 Hz (± 3dB)
Sensitivity	103 dB (1W@1m) π
Max SPL	139 dB – 145 dB Peak
Coverage Angle	Omnidirectional
Power	3600 W (7200 W program, 14400 W peak)
Crossover	Active
Nominal impedance	4 Ω
Connectors	2 x Neutrik Speakon NL4MP
Finish	Polyurea coating - other colours (RAL) available
Material	18 mm premium birch plywood
Dimensions	585 x 1080 x 781 mm (H x W x D)
Weight	82 Kg (180 lbs)

Dimensional Drawing



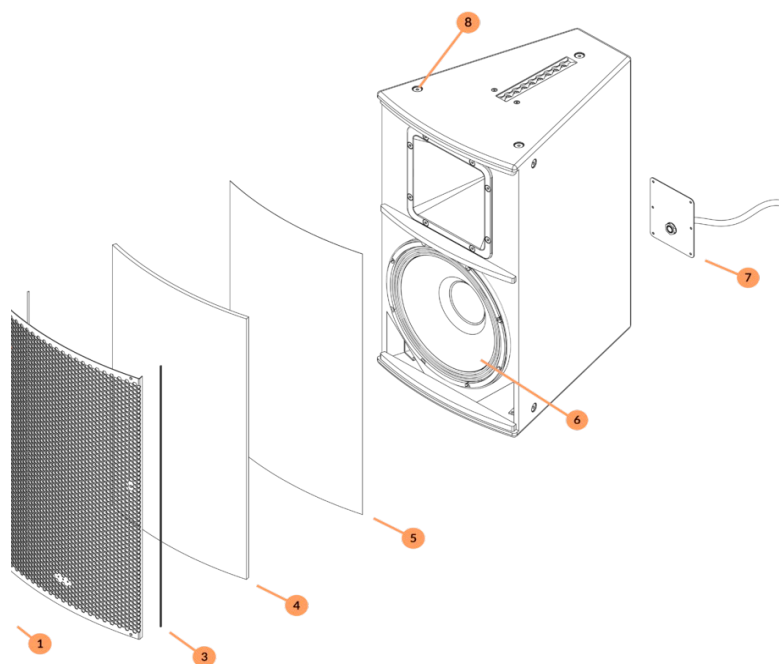
Weather-resistant version

Our Weather-resistant speakers are designed to withstand harder weather conditions, where the cabinets are exposed to the elements.

RAL available on request. Polyurea coating with aliphatic colour paint.

Colours:

Black polyurea coating with microtextured metal parts.



1. Anodized aluminium logo for durability outdoors.
2. Stainless steel 1 mm 316 L grill. Also available in aluminium with protective layer and micro textured paint.
3. Weatherstrip edging for extreme protection.
4. Acoustex filter: hydrophobic polyester sheet to prevent the penetration of water and external elements produced by extreme weather conditions.
5. 35 ppi Acoustic foam to protect against dust particles.
6. Waterproof protected cone on both sides
7. Aluminum back plate with pressure gland for an extra tight connection and easy installation.
8. M10 stainless steel 316 L screws (A4).