

High performance, ultra-compact, full range, two way bi-amp/ passive cabinet. It offers a wide dispersion of 90° x 60° and 126 dB SPL (1000W program).



Key features

- Ultra-compact light weight
- Versatile sound reinforcement
- High performance
- 90° x 60° wide dispersion
- ARK processor optimised preset
- Multiple rigging/ mounting options

Applications

- Club & bar installations
- Sound reinforcement
- Theatres
- Houses of worship
- Multi media spaces
- Public address

General description & specifications

The HR-28 enclosure is a high-performance passive full range, with an excellent power-size ratio. It consists of two 8" carbon fiber cone transducers and a 1" high frequency compression driver. It offers a wide dispersion of 90° x 60° and 126 dB SPL (1000W program).

This enclosure offers a selectable operation between bi-amp or passive mode and is ideal for a wide variety of applications.

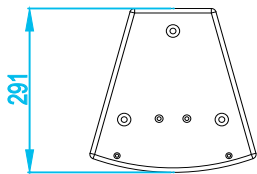
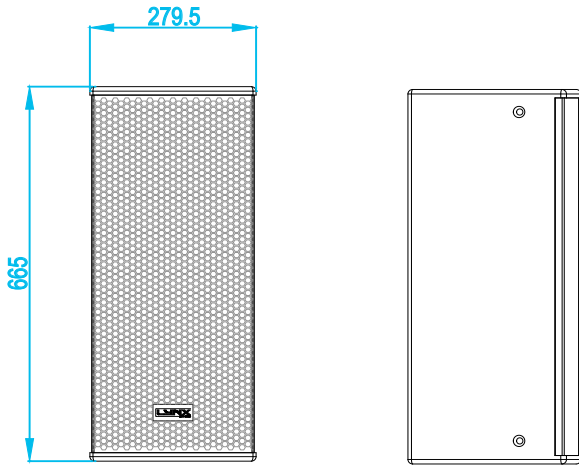
Although this cabinet can be used without a processor, we strongly recommend that the cabinet presets are applied for maximum optimization and performance.

For Low Frequency reinforcement, several subwoofer options are available.




Technical Data

Components	
• LF	2 x 8", 2" aluminium voice coil, carbon fiber cone
• HF	1" Exit compression Driver, 1.75" aluminium voice coil, Polyester diaphragm
Frequency range	54 Hz – 20 KHz (-10dB)
Frequency response	60 Hz – 18 KHz (± 3dB)
Sensitivity	Passive Mode: 92 dB (1W@1m)
Max SPL	Passive Mode: 120 dB – 126 dB Peak Bi-Amp LF: 120 dB – 126 dB Peak Bi-Amp HF: 125 dB – 131 dB Peak
Coverage Angle	90° x 60° (Rotatable)
Power	Passive mode: 400 W (800 W program, 1600 W peak) Bi- Amp LF: 500 W (1000 W program, 2000 W peak) Bi-Amp HF: 60 W (120 W program, 240W peak)
Crossover	Bi-Amp / Passive (Selectable)
Nominal impedance	4 Ω Passive / Biamp LF 4 Ω, HF 8 Ω
Connectors	2 x Neutrik Speakon NL4MP
Finish	Polyurea coating - other colours (RAL) available
Material	15 mm premium birch plywood
Dimensions	665 x 279 x 298 mm (H x W x D)
Weight	17 Kg (37 lbs)
Fittings	11 x M10 points

Dimensional Drawing



Accessories

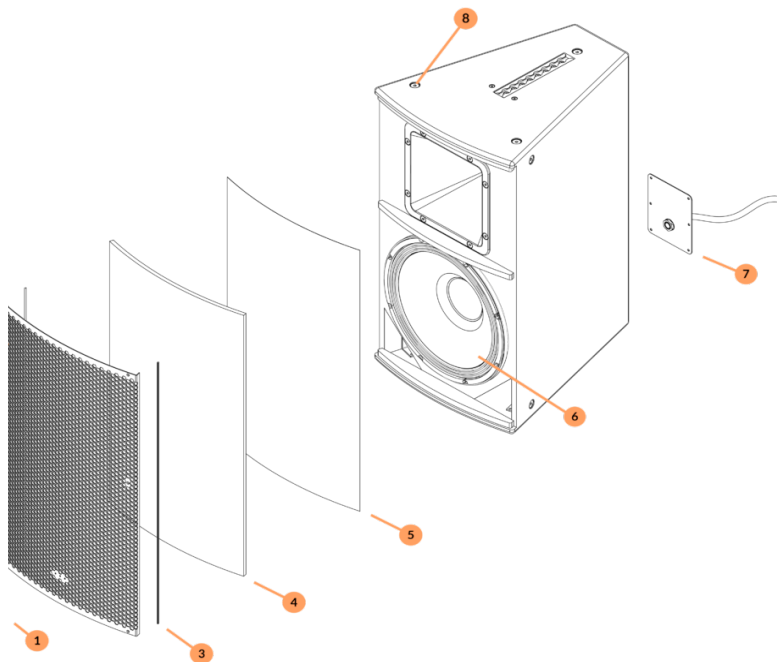
	AGR-10	Eye bolt for the HR-28
	HBR-28	Horizontal bracket for the HR-28
	WB-20	Wall bracket for the HR-28

Weather-resistant version

Our Weather-resistant speakers are designed to withstand harder weather conditions, where the cabinets are exposed to the elements. RAL available on request. Polyurea coating with aliphatic colour paint.

Colours:

Black polyurea coating with microtextured metal parts.



1. Anodized aluminium logo for durability outdoors.
2. Stainless steel 1 mm 316 L grill. Also available in aluminium with protective layer and micro textured paint.
3. Weatherstrip edging for extreme protection.
4. Acoustex filter: hydrophobic polyester sheet to prevent the penetration of water and external elements produced by extreme weather conditions.
5. 35 ppi Acoustic foam to protect against dust particles.
6. Waterproof protected cone on both sides
7. Aluminum back plate with pressure gland for an extra tight connection and easy installation.
8. M10 stainless steel 316 L screws (A4).