

High power, ultra compact, subwoofer cabinet with two 15" low frequency transducers with rubber suspension in triple band-pass configuration. 139dB Peak (4000W program).



Key features

- Ultra compact triple band-pass
- Versatile sound reinforcement
- High performance 1200 W
- ARK processor optimised preset

Applications

- Club & bar installations
- Sound reinforcement
- Theatres
- Houses of worship
- Multi media spaces
- Public address

General description & specifications

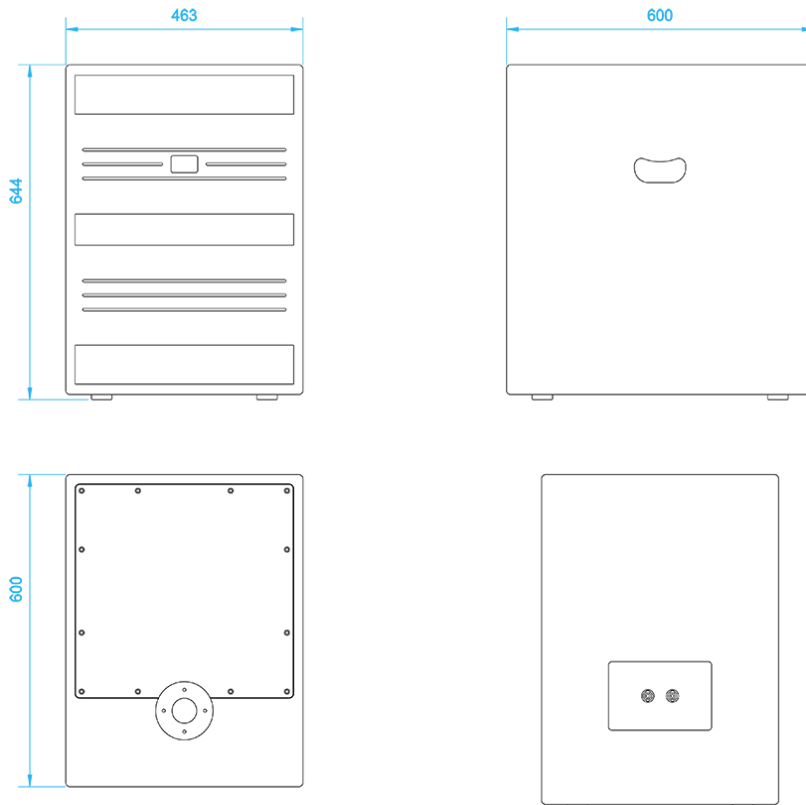
The HR-215S is a high-performance compact subwoofer designed to work with the HR range full range cabinets, offering impressive low-frequency reinforcement with an excellent power-volume-to-weight ratio.

High power, ultra compact, sub-bass cabinet with two 15" low frequency transducers with rubber suspension in triple band-pass configuration. 139dB Peak (4000W program).

Technical Data

Components	
• LF	2 x 15" transducers
Frequency range	30 Hz – 160 Hz (-10dB)
Frequency response	35 Hz – 150 Hz (± 3dB)
Sensitivity	100 dB (1W@1m) π
Max SPL	133 dB – 139 dB Peak
Coverage Angle	Quasi omnidirectional
Power	2000 W (4000 W program, 8000 W peak)
Crossover	Active
Nominal impedance	4 Ω
Connectors	2 x Neutrik Speakon NL4MP
Finish	Polyurea coating - other colours (RAL) available
Material	18 mm premium birch plywood
Dimensions	644 x 463 x 600 mm (H x W x D)
Weight	59 Kg (130 lbs)

Dimensional Drawing



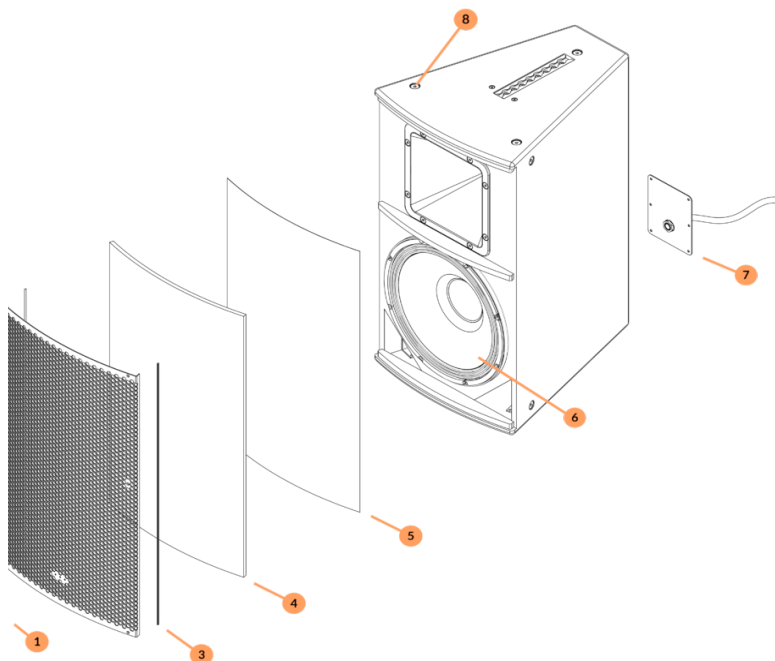
Weather-resistant version

Our Weather-resistant speakers are designed to withstand harder weather conditions, where the cabinets are exposed to the elements.

RAL available on request. Polyurea coating with aliphatic colour paint.

Colours:

Black polyurea coating with microtextured metal parts.



1. Anodized aluminium logo for durability outdoors.
2. Stainless steel 1 mm 316 L grill. Also available in aluminium with protective layer and micro textured paint.
3. Weatherstrip edging for extreme protection.
4. Acoustex filter: hydrophobic polyester sheet to prevent the penetration of water and external elements produced by extreme weather conditions.
5. 35 ppi Acoustic foam to protect against dust particles.
6. Waterproof protected cone on both sides
7. Aluminum back plate with pressure gland for an extra tight connection and easy installation.
8. M10 stainless steel 316 L screws (A4).