

High performance, ultra-compact, full range, two way bi-amp/passive cabinet. It consists of a 15" transducer and a 1" high frequency compression driver.



### Key features

- Versatile sound reinforcement
- High performance
- Coverage 60° x 40° or 90° x 60°, rotatable horns
- ARK processor optimised preset
- Precise band pass directivity control
- Multiple rigging and mounting options

### Applications

- Club & bar installations
- Sound reinforcement
- Theatres
- Houses of worship
- Conferences
- Public address

### General description & specifications

High performance, ultra-compact, full range, two way bi-amp/passive cabinet. It consists of a 15" transducer and a 1" high frequency compression driver.

They offer 2 dispersion options. The model HR-1564/5 provides a narrow dispersion of 60° x 40° (rotatable) and the model HR-1596/5 offers a wide dispersion of 90° x 60° (rotatable). 129dB SPL (1000W program).

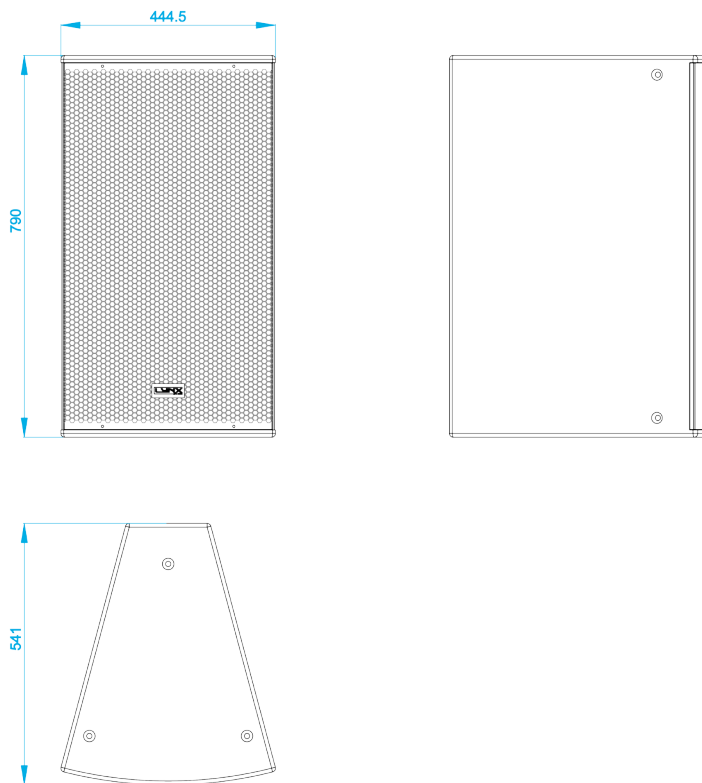
This enclosure is ideal for a wide variety of applications and has a range of accessories that provide an easier assembly. Although this cabinet can be used without a processor, we strongly recommend that the cabinet presets are applied for maximum optimization and performance.

For Low Frequency reinforcement, several subwoofer options are available.

### Technical Data

<b>Components</b>	
• LF	15", 2.5" voice coil, Malt Cross Cooling System
• HF	1.4" Exit compression Driver, 1.75" aluminium voice coil
<b>Frequency range</b>	58 Hz – 20 KHz (-10dB)
<b>Frequency response</b>	63 Hz – 18 KHz (± 3dB)
<b>Sensitivity</b>	Passive Mode: 96 dB (1W@1m)
<b>Max SPL</b>	Passive Mode: 123dB – 129dB Peak Bi-Amp LF: 125dB – 131dB Peak Bi-Amp HF: 126dB – 132dB Peak
<b>Coverage Angle</b>	Constant directivity horn (Rotatable) 90° x 60° (HR-1596/5) / 60° x 40° (HR-1564/5)
<b>Power</b>	Passive mode: 500 W (1000 W program, 2000 W peak) Bi- Amp LF: 500 W (1000 W program, 2000 W peak) Bi- Amp HF: 60 W (120 W program, 240W peak)
<b>Crossover</b>	Bi-amp / Passive (Selectable)
<b>Nominal impedance</b>	8 Ω Passive / Bi-amp LF 8 Ω, HF 8 Ω
<b>Connectors</b>	2 x Neutrik Speakon NL4MP
<b>Finish</b>	Polyurea coating - other colours (RAL) available
<b>Material</b>	15 mm premium birch plywood
<b>Dimensions</b>	790 x 444.5 x 541 mm (H x W x D)
<b>Weight</b>	30 Kg (66 lbs)

### Dimensional Drawing



### Accessories



AGR-10

Eye bolt for HR 1564/5 & HR 1596/5 cabinets

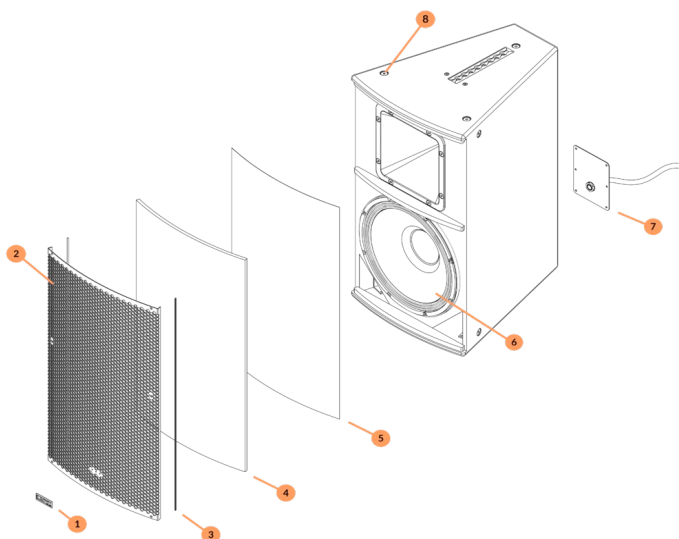
### Weather-resistant version

Our Weather-resistant speakers are designed to withstand harder weather conditions, where the cabinets are exposed to the elements.

RAL available on request. Polyurea coating with aliphatic colour paint.

#### Colours:

Black polyurea coating with microtextured metal parts.



1. Anodized aluminium logo for durability outdoors.
2. Stainless steel 1 mm 316 L grill. Also available in aluminium with protective layer and micro textured paint.
3. Weatherstrip edging for extreme protection.
4. Acoustex filter: hydrophobic polyester sheet to prevent the penetration of water and external elements produced by extreme weather conditions.
5. 35 ppi Acoustic foam to protect against dust particles.
6. Waterproof protected cone on both sides
7. Aluminum back plate with pressure gland for an extra tight connection and easy installation.
8. M10 stainless steel 316 L screws (A4).