

High performance, ultra-compact, full range, two way bi-amp/ passive cabinet. It consists of a 12" transducer and a 1.4" high frequency compression driver.



### Key features

- Versatile sound reinforcement
- High performance
- Coverage 60° x 40° or 90° x 60°, rotatable horns
- ARK processor optimised preset
- Precise band pass directivity control
- Multiple rigging and mounting options

### Applications

- Club & bar installations
- Sound reinforcement
- Theatres
- Houses of worship
- Conferences
- Public address

## General description & specifications

High performance, ultra-compact, full range, two way bi-amp/ passive cabinet. It consists of a 12" transducer and a 1.4" high frequency compression driver.

They offer 2 dispersion options. The model HR-1264/7 provides a narrow dispersion of 60° x 40° (rotatable) and the model HR-1296/7 offers a wide dispersion of 90° x 60° (rotatable). 129dB SPL (1400W program).

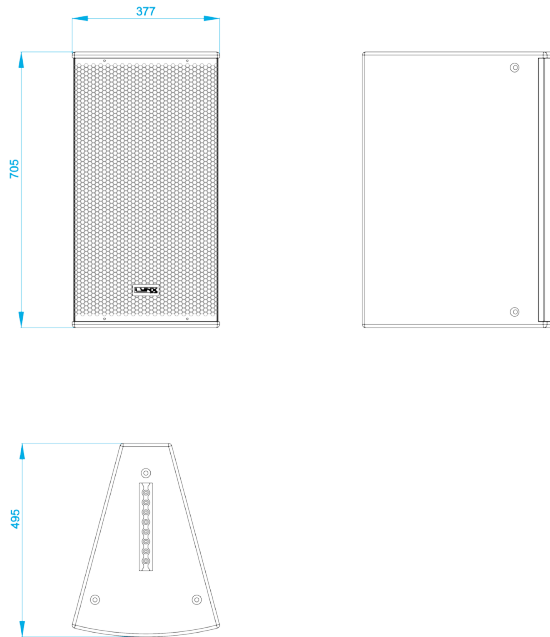
This cabinet is ideal for a wide variety of applications and has a range of accessories that facilitate its assembly. Although this cabinet can be used without a processor, we strongly recommend that the cabinet presets are applied for maximum optimization and performance.

For Low Frequency reinforcement, several subwoofer options are available.



## Technical Data

<b>Components</b>	
• LF	12", 3.5" aluminium voice coil, waterproof front side cone treatment, neodymium magnet
• HF	1.4" Exit compression Driver, 2.5" aluminium voice coil, Titanium diaphragm
<b>Frequency range</b>	59 Hz – 20 KHz (-10dB)
<b>Frequency response</b>	65 Hz – 18 KHz (± 3dB)
<b>Sensitivity</b>	Passive Mode: 94 dB (1W@1m)
<b>Max SPL</b>	Passive Mode: 123dB – 129dB Peak Bi-Amp LF: 125dB – 131dB Peak Bi-Amp HF: 127dB – 133dB Peak
<b>Coverage Angle</b>	Constant directivity horn (Rotatable) 90° x 60° (HR-1296/7) / 60° x 40° (HR-1264/7)
<b>Power</b>	Passive mode: 700 W (1400 W program, 2800 W peak) Bi- Amp LF: 700 W (1400 W program, 2800 W peak) Bi-Amp HF: 80 W (160 W program, 320W peak)
<b>Crossover</b>	Bi-amp / Passive (Selectable)
<b>Nominal impedance</b>	8 Ω Passive / Bi-amp LF 8 Ω, HF 8 Ω
<b>Connectors</b>	2 x Neutrik Speakon NL4MP
<b>Finish</b>	Polyurea coating - other colours (RAL) available
<b>Material</b>	15 mm premium birch plywood
<b>Dimensions</b>	705 x 377 x 495 mm (H x W x D)
<b>Weight</b>	26 Kg (57 lbs)

### Dimensional Drawing



### Accessories

	<b>AGR-10</b>	Eye bolt for HR 1264/7 & HR 1296/7 cabinets
	<b>SC-FC1</b>	Lightweight install stud for HR 1264/7 & HR 1296/7
	<b>SC-FC2</b>	Heavyweight install stud for HR 1264/7 & HR 1296/7

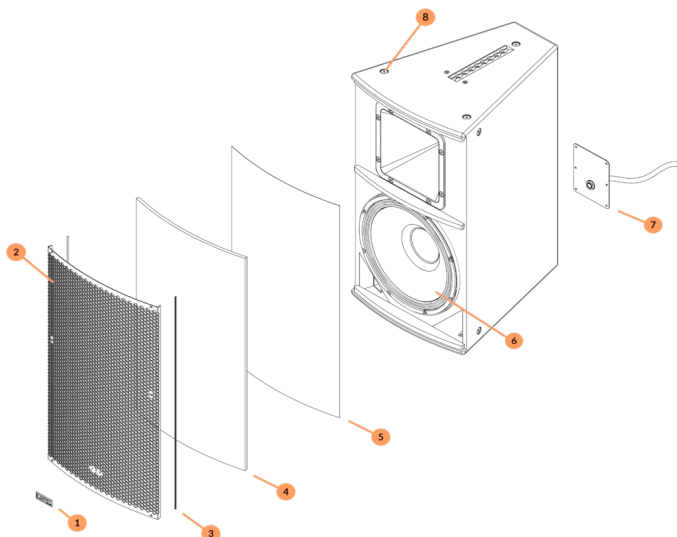
### Weather-resistant version

Our Weather-resistant speakers are designed to withstand harder weather conditions, where the cabinets are exposed to the elements.

RAL available on request. Polyurea coating with aliphatic colour paint.

#### Colours:

Black polyurea coating with microtextured metal parts.



- Anodized aluminium logo** for durability outdoors.
- Stainless steel 1 mm 316 L grill.** Also available in aluminum with protective layer and micro textured paint.
- Weatherstrip edging** for extreme protection.
- Acoustex filter:** hydrophobic polyester sheet to prevent the penetration of water and external elements produced by extreme weather conditions.
- 35 ppi Acoustic foam** to protect against dust particles.
- Waterproof protected cone** on both sides
- Aluminum back plate with pressure gland** for an extra tight connection and easy installation.
- M10 stainless steel 316 L screws (A4).**