

Compact, two-way passive cabinet. Consists of a 10" (2" voice coil) LF transducer and a 1" HF driver mounted on a 90° x 60° rotatable horn



Key features

- Compact two-way passive cabinet
- Multi-angle enclosure
- 90° x 60° rotatable horn
- Screwless grill with protective acoustic textile
- Integrated ergonomic handle
- Hidden speakon connection
- Multiple installations options, including stage monitor
- Polyurea coating

Applications

- Club & bar installation
- Houses of worship
- Sound reinforcement
- Theatres
- Public address
- Multi media spaces

General description & specifications

The BS-10 is a compact, two-way passive cabinet. Consists of a 10" (2" voice coil) LF transducer and a 1" HF driver mounted on a 90° x 60° rotatable horn offering a wide range of applications from fixed installations, frontfill and as a stage monitor.

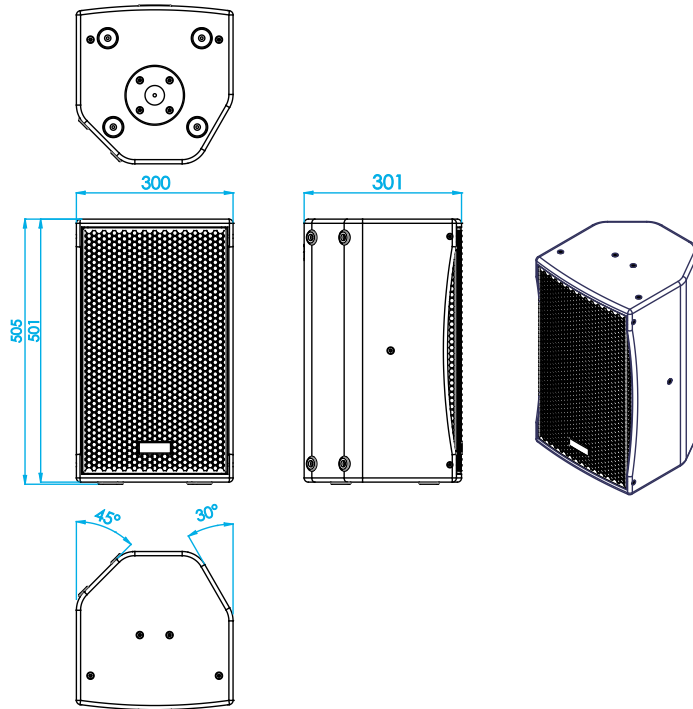
The 10" driver offers high power handling and high sensitivity with low harmonic distortion and linear response. The cone is waterproof and has been treated on both sides. The 1" HF driver delivers high sensitivity, with a PETP diaphragm.

The cabinet can be complemented by the BS-112 or BS-118 subwoofers and offers tremendous sound and clarity over short/ mid distances. Constructed from premium birch plywood and coated in high resistant polyurea paint. The enclosure also offers a screw free grille together with a number of dedicated accessories. Although the BS-10 can be used without a processor we recommend that the cabinet presets are applied for maximum optimization and performance.


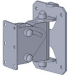

Technical Data

Components	
• LF:	10" speaker, 2" (50 mm) copper wire voice coil, Waterproof cone with treatment on both sides
• HF:	1" exit throat, (25 mm) voice coil, PETP dome compression driver
Frequency range	65 Hz - 18 KHz (-10dB)
Sensitivity	94 dB
Max SPL	119 dB / 125 dB
Rated Power	300 W AES (600 W program, 1200 W peak)
Dispersion	90° x 60° rotatable
Nominal Impedance	8 Ω
Connectors	2 x NEUTRIK Speakon NL4 Pin connections: +1 / -1 input +1 / -1 link
Finish	Polyurea coating
Material	15 mm Premium birch plywood
Dimensions	505 x 300 x 301 mm (H x W x D)
Weight	14 Kg (30.8 lbs)
Fittings	5 x M8, ergonomic handle on the back position, single pole-mount
Accessories	U bracket horizontal & vertical, M8 eyebolts, wall bracket
Enclosure Type	Multi angle enclosure

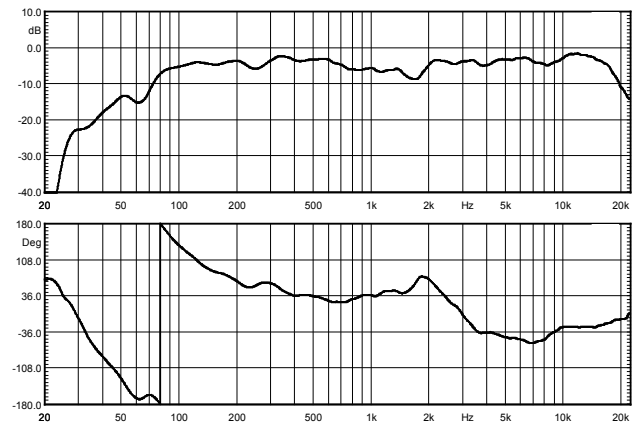
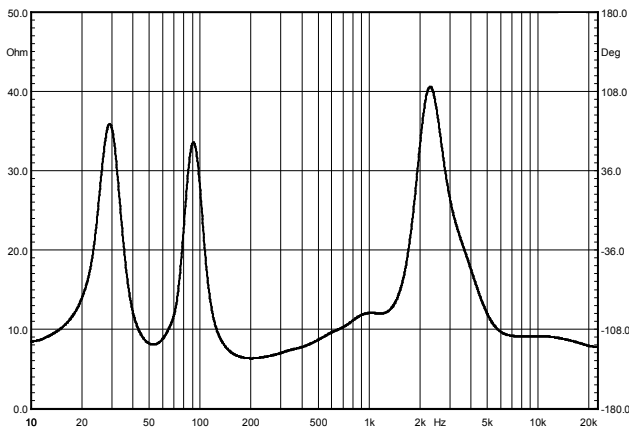
Dimensional Drawing



Accessories

	AGR-8	M8 Eyebolt
	WB-20/2	Wall bracket for BS-10
	UBR-BS10	U bracket for BS-10

Impedance Response & Frequency Response



Technical Department

Model BS-10 Optimizer Preset

This document contains the filter values for the model BS-10 speaker.

NUMBER FILTER	TYPE OF FILTER	FREQ Hz	Q	GAIN dB
1	Shelv High 12dB	14500		6
2	Parametric Q Adap	63	2.5	3
3				
4				
5				
6				
7				
8				
9				

CROSSOVER	TYPE	FREQ Hz	GAIN dB
LOW-PASS			
HIGH-PASS	Buttw	30	3° 18 dB/Oct

Note:

The preset is made with an amplifier from the RS series and an ARK processor. Using other products will not guarantee the same result and if the preset is incorrectly introduced it can affect the performance of the system and the reliability of the speaker.

Ensure the impedance of the loudspeaker and the maximum AES power is capable of supporting when adjusting the power limitation in the amplifier.

This can also lead to loss of warranty claims in case of damage.

CULTURE OF SOUND