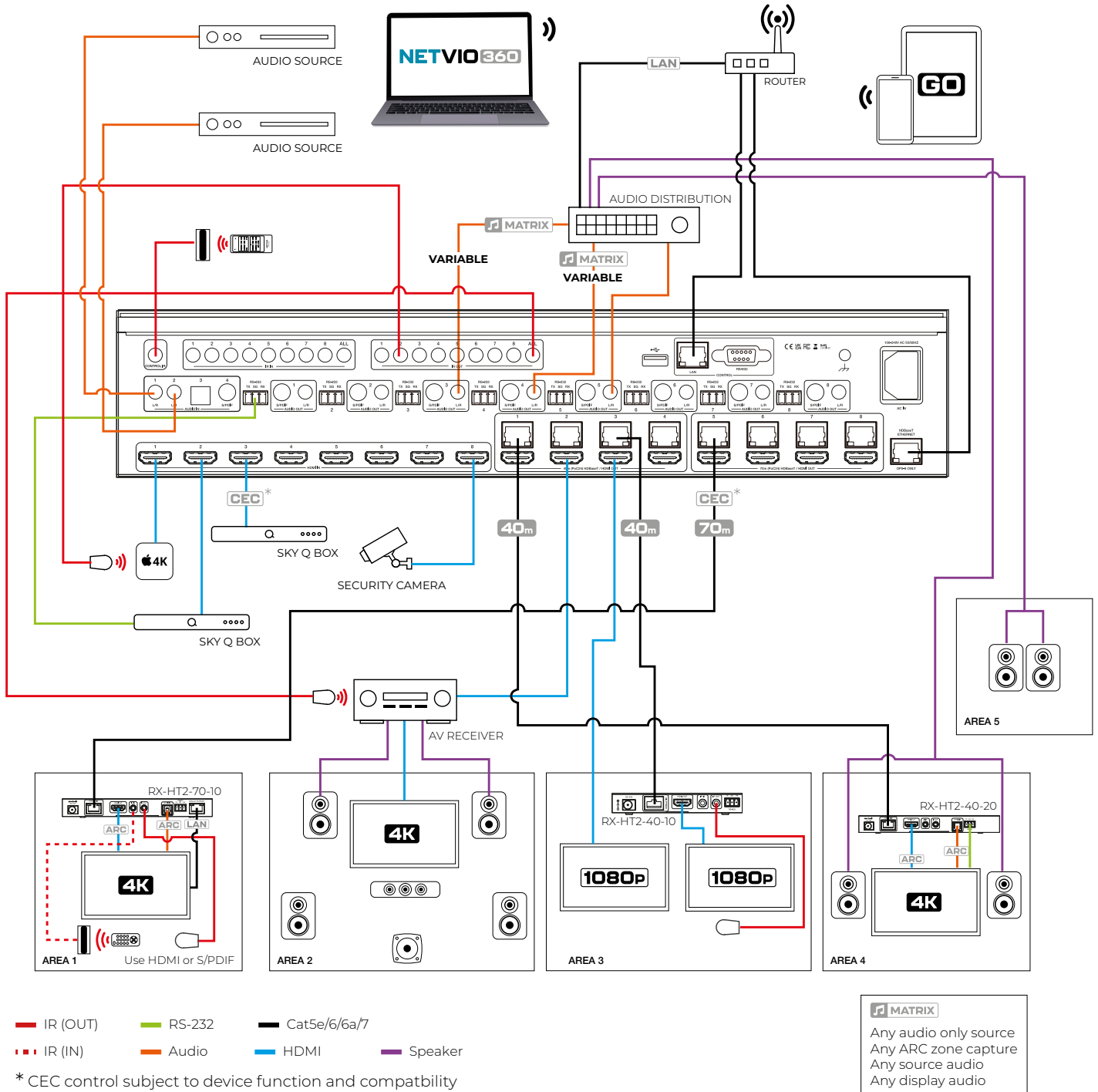


Basic Wiring Diagram



VIDEO**Encoding Data Rate**

HDMI: Max 17.82Gbs

HDBaseT: Max 10.2Gbs subject to variable stream compression and up-conversion.

Max Video Transmission

3840x2160 60fps 4:4:4 8b

HDBaseT**Outputs 1-4:** HDBaseT (10.2Gb) @ 40m 4K/60 HDR | 70m/1080p.**Output 5-8:** HDBaseT (10.2Gb) @ 70m 4K/60 HDR | 100m/1080p.**HDMI (Inputs/Outputs)**

Supporting HDMI 2.0b resolutions including 3840x2160 60fps HDR.

Max Pixel Clock

600MHz / 600Mcsc

HDR Compatibility

HDR10, HDR10+, Hybrid Log-Gamma, Dolby Vision

Scaler Function

4K to 1920x1080 progressive

Modes include, pass-through (no scaling), Fixed 4K → 2K, Automatic

HDCP

Inclusive up to 2.2

AUDIO**Audio Formats:**

LPCM 2ch, LPCM 5.1, LPCM 7.1, Dolby Digital, Dolby Digital Plus, Dolby TrueHD, DTS, DTS Master

Audio Outputs:

8no. 2ch variable line level stereo analog audio Jack socket

8no. S/PDIF audio via female RCA socket, S/PDIF digital audio supporting uncompressed PCM and non-linear PCM-encoded bitstreams.

Audio Return Channel:

ARC capture from compatible display, matrix & receiver (RX-HT2-40-20 | RX-HT2-70-10)

Audio Only Inputs:

2no. 2ch Stereo analog line audio inputs via jack socket

1no. S/PDIF (supporting LPCM and proprietary bitstreams) audio via female RCA socket,

1no. S/PDIF (supporting LPCM and proprietary bitstreams) audio via female optical TOSLink socket

28x16 Audio Matrix**Inputs:**

HDMI Source de-embed 1-8

HDMI ARC Zone 1-8

HDBaseT ARC Zone 1-8

Audio In 1, 2, 3, 4

Outputs:

No.8: Mirrored HDMI outputs

No. 8: HDBaseT outputs

No. 8: Stereo+S/PDIF

COMMUNICATION & CONTROL**HDMI:**

CEC, DDC

HDBaseT:

Supports CEC, DDC, Ethernet, RS-232 TXD, RXD and Infrared

RS-232:

Supports direct & routed RS-232 control, via a DB9 socket on the rear panel.

Zone RS-232 Serial interface (3-pin) via Phoenix-style, 3.5mm pitch male receptacle.

LAN:

1x IEEE 802.3u 100Base-TX Ethernet interface via "RJ45" socket.

Local discovery and API console via Netvio 360 & Netvio Go APP, 3rd-party integration via public API

Drivers & Control

Drivers available for control systems including C4, Crestron, RTi & Elan.

Discovery, configure, optimise, design via Netvio 360 utility.

Full spectrum AV control via FREE Netvio app.

EDID

Automatic, Onboard pre-sets, Copy sync (RX)

ENVIRONMENTAL**Storage**

20°C / +60°C | 20% - 90% RH

Operating

0°C / +40°C | 20% - 90% RH

OTHER INFORMATION**Power Supply:**

Internal PSU. supporting worldwide AC voltages (e.g. 120V/60 USA, 230V/50 UK)

FREE Software & Control

Netvio 360 utility - discovery, configure, optimise, design, control

Netvio GO - Full spectrum AV control

Weights & Dimensions:**Rack Units:** 2RU**Height:** 88mm**Width:** 440mm**Depth:** 373mm**Weight:** 6.9kg**In the box:**

Rack Ears

IR Accessories

Phoenix Connectors

Remote Control

Regionalised Power Lead

Regulations

Safety Approvals: CE, UKCA, FCC, RoSH

Warranty5-Year standard warranty (*no registration required*)

10-Years for 10% price increment

NETVIO 360

DISCOVER, CONFIGURE, OPTIMISE, DESIGN & CONTROL

Netvio 360, a free utility for PC and Mac provides a unified and guided workflow approach to discover, configure, optimise, design and control HDBaseT, 1Gb and 10Gb AVoIP solutions.

Use the design canvas tool to drag 'n' drop system components, draw control paths before launching Netvio GO! with a QR code.



NETVIO GO

GET, SET, GO!

Free-on-board! Netvio GO provides a high-quality end-user control experience for HDBaseT, 1Gb & 10Gb AVoIP solutions.

A full spectrum AV control platform using Apple & Android devices, Netvio GO seamlessly manages signal distribution, media sources, displays & audio devices via IR, RS-232, CEC & IP without dedicated control hardware.

Set-up & control established takes minutes using Netvio 360.



Compatible Receivers *(Sold separately)*



RX-HT2-40-10

40m 4K/60 HDR
RS-232
Bi-Directional IR
Power over Cable (PoC)



RX-HT2-40-20

40m 4K/60 HDR
ARC (HDMI or S/PDIF)
RS-232, Bi-Directional IR
Power over Cable (PoC)



RX-HT2-70-10

70m 4K/60 HDR
Ethernet LAN
ARC Capture (HDMI or S/PDIF)
RS-232, Bi-Directional IR
Power over Cable (PoC)