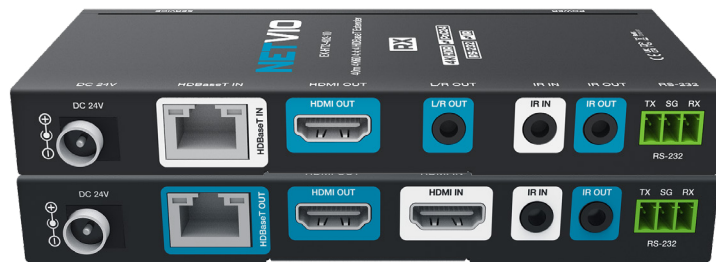


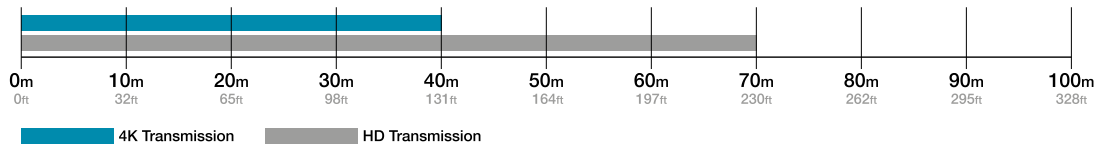
NETVIO

SIMPLIFYING COMPLEXITY

EX-HT2-402-10 4K/60 HDR HDBaseT Extender



SafeGuard



40m 4K

ULTRA 4K

4K Ultra HD, HDBaseT extender using single standard category cable. Compatible with many 4K media devices. Capable of sending 4K up to 40m.

IR

2-WAY IR

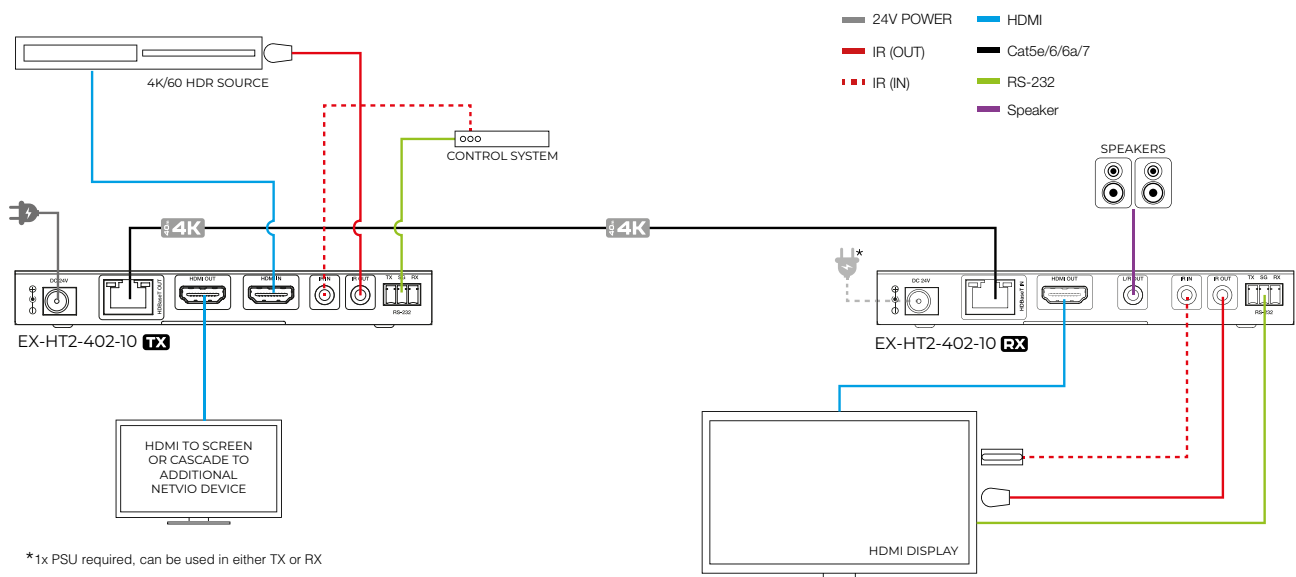
2-way IR allows control of centralised media while providing an additional path-way to send IR signals from a control source to the display.

RS-232

STRAIGHT THROUGH

Direct RS-232 connectivity resulting in a simple pass-thru from control source (TX), to HDBaseT receiver (RX). All connector accessories supplied.

BASIC WIRING DIAGRAM



SPECIFICATION

VIDEO

Encoding Data Rate

HDBaseT: Max 10.2Gbs

Max Video Transmission

3840x2160 30fps 4:4:4 8b

HDBaseT

HDBaseT (10.2Gb) @ 40m 4K/60 HDR | 70m/1080p.

HDMI

Supporting HDMI 2.0b resolutions including 3840x2160 60fps HDR.

Max Pixel Clock

300MHz / 300Mcsc

HDR Compatibility (30fps)

HDR10, HDR10+, Hybrid Log-Gamma, Dolby Vision

HDCP

Inclusive up to 2.2

AUDIO

Audio Formats

LPCM 2ch, LPCM 5.1, LPCM 7.1, Dolby Digital, Dolby Digital Plus, Dolby TrueHD, DTS, DTS Master

COMMUNICATION & CONTROL

HDMI:

CEC, DDC

HDBaseT:

Supports CEC, DDC, RS-232 TXD, RXD and Infrared.

RS-232:

Direct RS-232 Serial interface (3-pin) via Phoenix-style, 3.5mm pitch male receptacle.

IR:

Bi-directional Infrared, TX > RX, RX > TX via 3.5mm jack sockets (see *wiring schematic*)

EDID:

Automatic, HDMI copy from RX to TX.

ENVIRONMENT

STORAGE:

-20°C / +60°C | 20% - 90% RH

OPERATING:

0°C / +40°C | 20% - 90% RH

OTHER INFORMATION

Power Supply:

24v External PSU supporting power-over-cable (PoC). PSU can be connected to either TX or RX.

Weights & Dimensions (per device):

Height: 17mm

Width: 115mm

Depth: 65mm

Weight: 100g

In the box:

Mounting brackets

IR Accessories

Phoenix Connectors

24v PSU

Regulations

Safety Approvals: CE, UKCA, FCC, RoSH

Warranty

5-Year standard warranty