

High performance, ultra-compact, full range, versatile sound reinforcement, 90° x 90° wide dispersion cabinet. It offers 119 dB SPL (400 W program)



### Key features

- Ultra-compact
- Versatile sound reinforcement
- High performance
- 90° x 90° wide dispersion
- ARK processor optimised preset
- Multiple rigging / mounting options

### Applications

- Club & bar installations
- Sound reinforcement
- Theatres
- Houses of worship
- Multi media spaces
- Public address

## General description & specifications

Ultra compact, light and very versatile passive enclosure specially designed for all types of installation projects, both indoors and outdoors (outdoor version available). It consists of a 6.5" transducer (impedance 16 ohm) and a 1" high frequency Mylar tweeter. It offers 119 dB SPL (400 W program)

It is an excellent solution for large installation projects or basic installations. It has a complete range of accessories to provide an

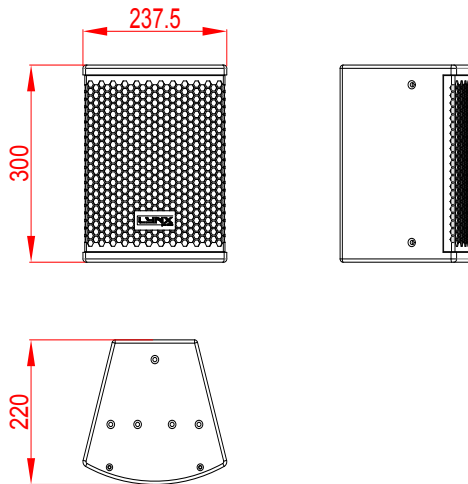
easier installation. Although this cabinet can be used without a processor, we strongly recommend that the cabinet presets are applied for maximum optimization and performance.

For Low Frequency reinforcement, several subwoofer options are available.

## Technical Data

<b>Components</b>	
• LF	1 x 6.5", 2" voice coil
• HF	1 x Tweeter 1" - 1.25" aluminium voice coil, Mylar diaphragm
<b>Frequency range</b>	62 Hz - 20 KHz (-10dB)
<b>Frequency response</b>	88 Hz - 18 KHz (± 3dB)
<b>Sensitivity</b>	93 dB (1W@1m)
<b>Max SPL</b>	116 dB - 122 dB Peak
<b>Coverage Angle</b>	90° H x 90° V
<b>Power</b>	200 W (400 W program, 800 W peak)
<b>Crossover</b>	Passive
<b>Nominal impedance</b>	16 Ω
<b>Connectors</b>	2 x Neutrik Speakon NL4MP / 4 x Terminal Block 7.62 mm between pins
<b>Finish</b>	Polyurea coating, black colour
<b>Material</b>	15 mm premium birch plywood
<b>Dimensions</b>	300 x 236 x 220 mm (H x W x D)
<b>Weight</b>	7.5 Kg (17 lbs)

### Dimensional Drawing



### Accessories

	UBR-HR6	U bracket for HR-6
	WB-10/2	Wall bracket for HR-6
	AGR-6	M6 eye bolt for HR-6

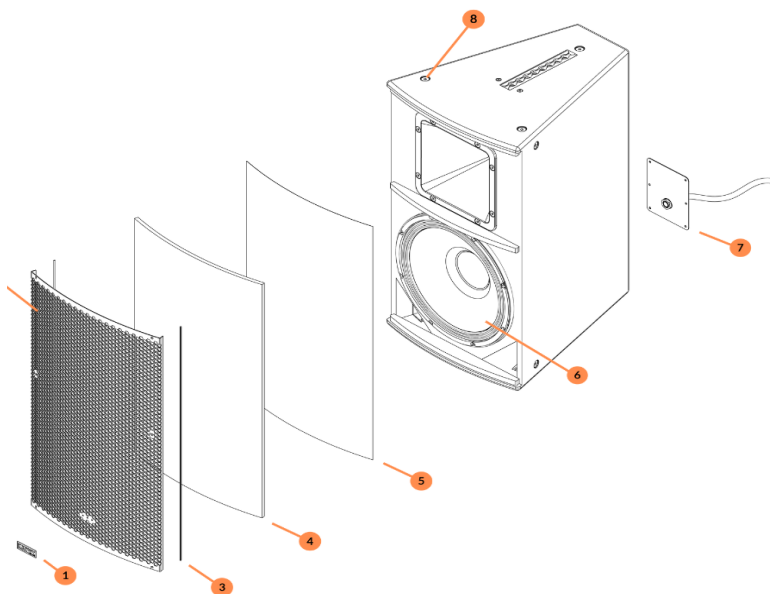
### Weather-resistant version

Our Weather-resistant speakers are designed to withstand harder weather conditions, where the cabinets are exposed to the elements.

RAL available on request. Polyurea coating with aliphatic colour paint.

#### Colours:

Black polyurea coating with microtextured metal parts.



1. Anodized aluminium logo for durability outdoors.
2. Stainless steel 1 mm 316 L grill. Also available in aluminium with protective layer and micro textured paint.
3. Weatherstrip edging for extreme protection.
4. Acoustex filter: hydrophobic polyester sheet to prevent the penetration of water and external elements produced by extreme weather conditions.
5. 35 ppi Acoustic foam to protect against dust particles.
6. Waterproof protected cone on both sides
7. Aluminum back plate with pressure gland for an extra tight connection and easy installation.
8. M10 stainless steel 316 L screws (A4).