

# FLAX EVO P 25 FE

## Technical Sheet

### 10" subwoofer

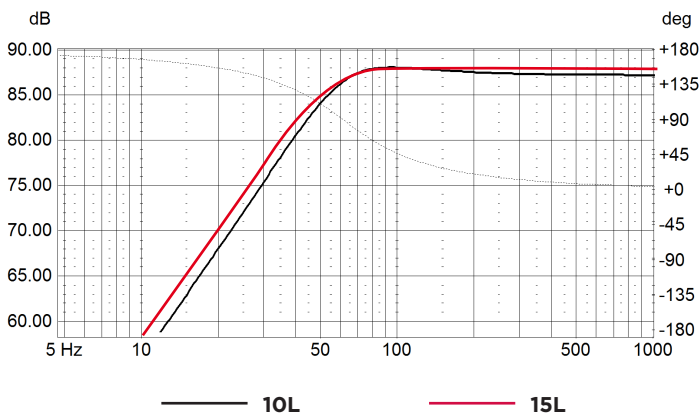


## SPECIFICATIONS

Nominal power	300W RMS	
Maximum power	600W	
Sensitivity (2.83V/1m)	85dB	
Cone	Flax	
Surround	Rubber	
Nom. impedance	4 Ohms	
DC resistance	3.7 Ohms	
VC diameter	50mm	2"
VC height	35mm	1 <sup>3</sup> / <sub>8</sub> "
Former	Glass Fiber	
Layers	4	
Wire	Copper	
Inductance	2.7mH	
Xmax	14mm	0 <sup>9</sup> / <sub>16</sub> "
Magnet dxh (mm)	145x40mm	5 <sup>11</sup> / <sub>16</sub> " x 1 <sup>9</sup> / <sub>16</sub> "
Flux density	0.75T	
Gap height	8mm	0 <sup>5</sup> / <sub>16</sub> "
Net weight	5.4g	10.8 lbs

## FREQUENCY RESPONSE/IMPEDANCE

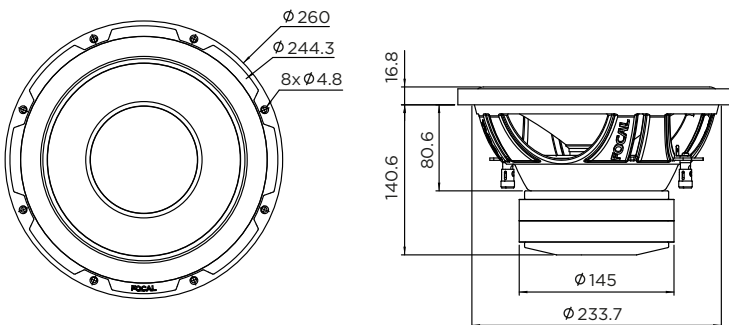
Sealed enclosure



## PARAMETERS

Fs	31Hz
Vas	29L
Qts	0.45
Qes	0.51
Qms	4.5
Re	3.7ohms
Sd	347cm <sup>2</sup>
Cms	0.17mm/N
Mms	145g
BL	14.8N/A
SPL	85dB

## MECHANICAL DRAWING



## SUGGESTED APPLICATION

### Ported enclosure

Volume	F-3 (Hz)	Ø port	Port length
25L (0.88 cu.ft.)	33Hz	8cm - 3 <sup>1</sup> / <sub>8</sub> "	35cm - 13 <sup>3</sup> / <sub>4</sub> "
30L (1.05 cu.ft.)	30Hz	8cm - 3 <sup>1</sup> / <sub>8</sub> "	45cm - 17 <sup>3</sup> / <sub>4</sub> "
35L (1.23 cu.ft.)	27Hz	8cm - 3 <sup>1</sup> / <sub>8</sub> "	45cm - 17 <sup>3</sup> / <sub>4</sub> "

### Sealed enclosure

Volume	F-3 (Hz)
10L (0.35 cu.ft.)	52Hz
15L (0.52 cu.ft.)	50Hz
20L (0.70 cu.ft.)	48Hz
25L (0.88 cu.ft.)	47Hz